



VOICE	
M50311	

MOBILE PHONE

大哥大语音 IC

FEATURES 功能叙述

- Direct driver speaker.
- Debounce time: 10ms.
- M50311-1 English 英文.
- M50311-2 Chinese 中文.
- M50311-3 SPANISH 西班牙文.

TRIGGER	SOUND
K1	RINGING SOUND
K2	MELODY
K3	DO DO SOUND
K4	REDIAL SOUND+MAY I HELP YOU?
K5	DO DO SOUND+INFORMATION+MAY I HELP YOU?
K6	RINGING SOUND+OPERATOR+MAY I HELP YOU?
K7	RE RE SOL +OPERATOR

APPLICATION 产品应用

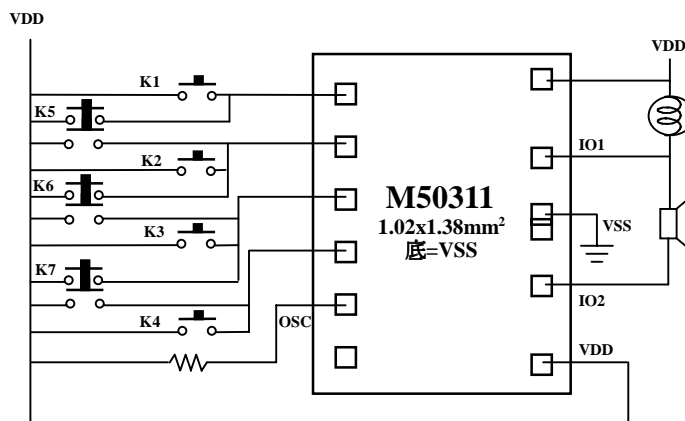
- Mobile phone, etc..

ELECTRICAL CHARACTERISTICS 电气规格

(@V_{DD}=3V unless otherwise specified)

Characteristics	Sym.	Min.	Typ.	Max.	Unit	REMARKS
工作电压 Operating Voltage	V _{DD}	2.4	3	5.0	V	
工作电流 Operating Current	I _{OP}	—	0.2	1	mA	No load
静态电流 Quiescent Current	I _{SB}	—	1	5	μ A	
推动电流 AUD Driving Current	I _O	20	—	—	mA	@ Vout=0.7V
推动电流 LO Driving Current	I _{OH}	1	—	—	MA	@ Vout=2V
	I _{OL}	3	—	—		@ Vout=1.0V
振荡频率 Oscillator Frequency	F _{OSC}	—	768	—	KHz	External ± 30%, Rosc=300K Ω
工作温度 Operating Temperature	Temp.	0	25	60	°C	

APPLICATION DIAGRAM 参考电路图



*All specs and applications shown above subject to change without prior notice.
(以上电路及规格仅供参考,本公司得径行修正)