



2 STATES DECODER

2 态解碼 IC

GENERAL DESCRIPTION 功能叙述

The M1DT/FT is a CMOS ASIC decoder paired with M1EA. It will de-code serial data from data input. The VT signal will go high and data will be copied to the output if address are checked the same. Data output has latch or momentary output type.

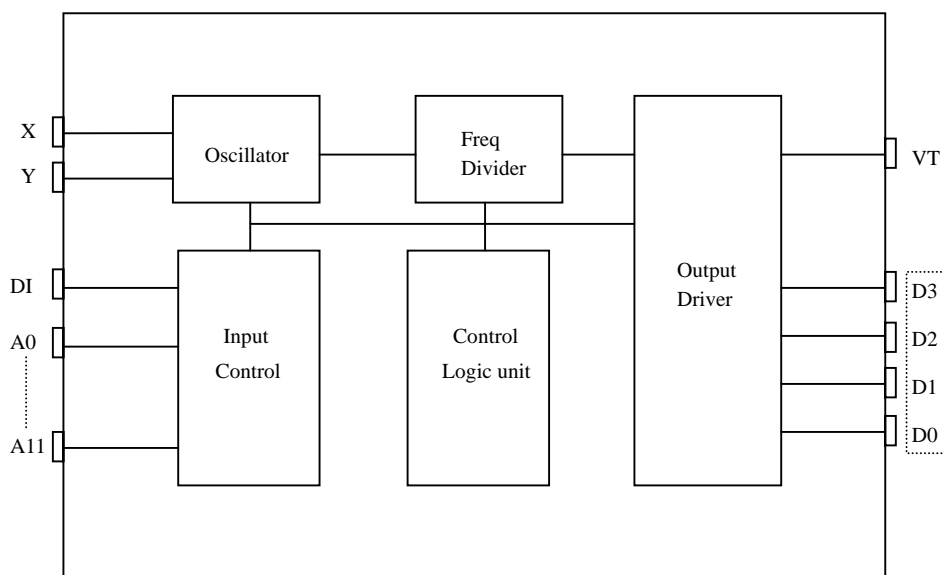
FEATURES 产品特长

- Same Rosc matched to the Encoder M1EA.
- Operating voltage: VDD=2.4 ~ 5.5V
- $2^{12} = 4,096$ codes, "0"、"1" binary.
- 3 cycles checked each time.
- Address / Data types:
 - M1DT: 4 data type (Latched).
 - M1DT-M: Momentary data outputs.
 - M1FT: Full address type.

APPLICATIONS 产品应用

- Car/home alarm system, garage control etc..

BLOCK DIAGRAM 功能方块图



*All specs and applications shown above subject to change without prior notice.
(以上电路及规格仅供参考,本公司得径行修正)



2 STATES DECODER
2 态解碼 IC

EN/DECODE
M1DT/FT

ABSOLUTE MAXIMUM RATING

(TA=25°C)

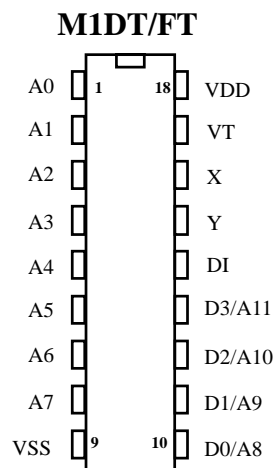
Parameter	Rating	Unit
Supply Voltage	-0.3 to 5.5	V
Input Voltage	-0.2~V _{DD} +0.2	V
Operating Temperature	-20 to 70	°C
Storage Temperature	-50 to 125	°C

ELECTRICAL CHARACTERISTICS

Characteristics	Sym.	Min.	Typ.	Max.	Unit	Conditions
Operating Voltage	V _{DD}	2.4	4.5	5.5	V	
Operating Current	I _{OP}	—	0.1	1	mA	No load
Quiescent Current	I _{SB}	—	0.1	0.5	μ A	
Output Drive Current	I _O	—	2	—	mA	@V _{DS} =1.2V
Input Voltage	V _{IH}	V _{DD} -0.2	V _{DD}	V _{DD}	V	
	V _{IL}	V _{SS}	V _{SS}	V _{SS} +0.2		
Oscillator Frequency	F _{osc}	—	76	—	KHz	External ± 30%,R _{osc} =240K Ω

PIN DESCRIPTION

No.	M1DT	M1FT	Description
1~8	A0~A7	A0~A7	2 States address inputs
9	VSS	VSS	Negative power supply
10~13	D0~D3	A8~A11	Data outputs/Address inputs
14	DI	DI	Data input
15	Y	Y	Oscillator output
16	X	X	Oscillator input
17	VT	VT	Valid transmit
18	VDD	VDD	Positive power supply



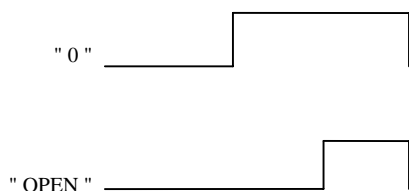


2 STATES DECODER
2 态解碼 IC

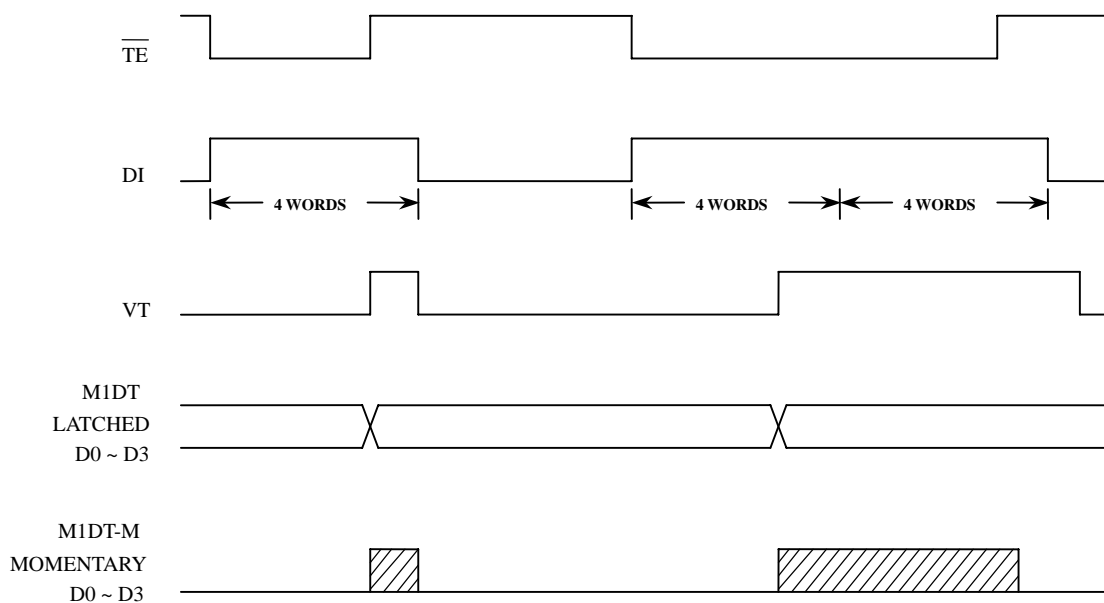
EN/DECODE
M1DT/FT

TIMING WAVEFORM

(1) BIT FORMAT



(2) TIMING DIAGRAM

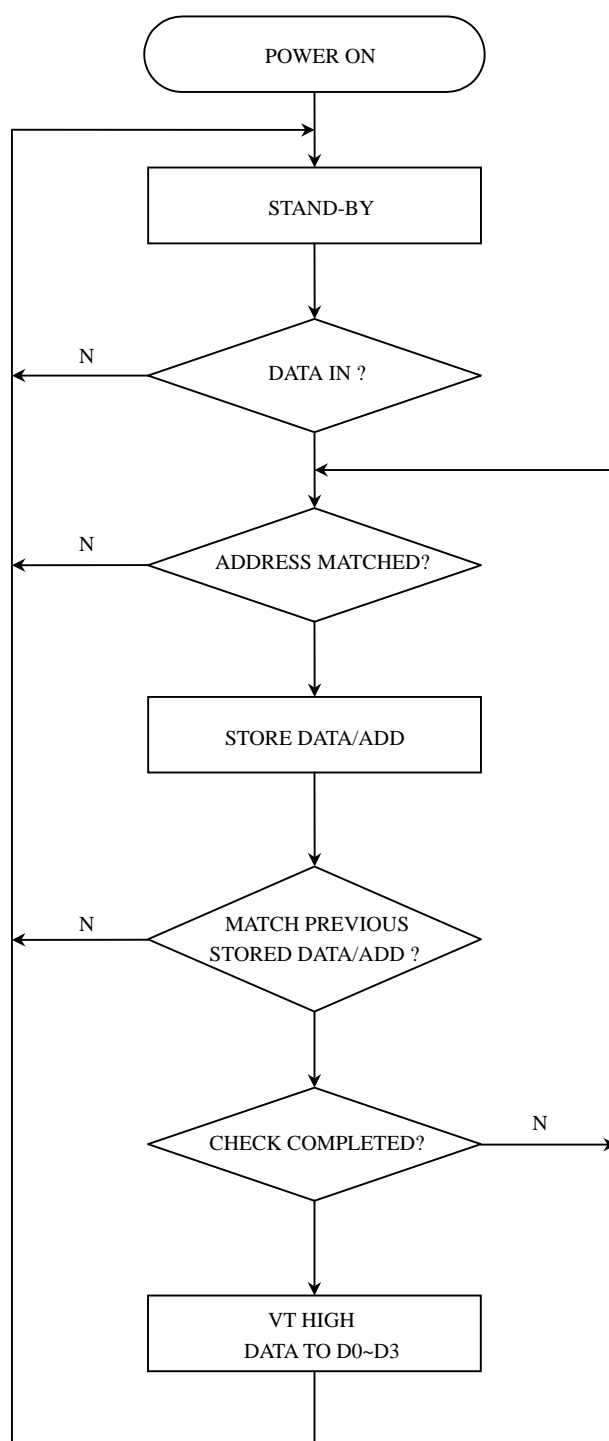




2 STATES DECODER

2 态 解 碼 IC

OPERATING FLOWCHART





2 STATES DECODER

2 态 解 碼 IC

M1DT/FT

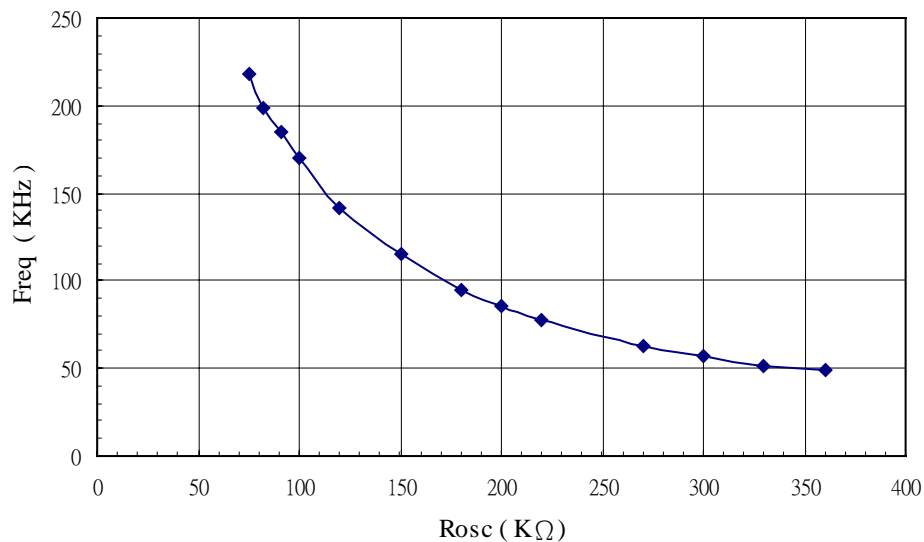
RECONNENDED OSCILLATOR PARAMETERS

Rosc (K Ω)	M1DT/FT (KHz)
75	218
82	199
91	185
100	170
120	142
150	115
180	95
200	86
220	78
270	63
300	57
330	51
360	49

DATA OUTPUT

M1EA (D0-D3)	M1DT/FT (D0-D3)
0 (VSS)	1 (VDD)
1 (OPEN)	0 (VSS)

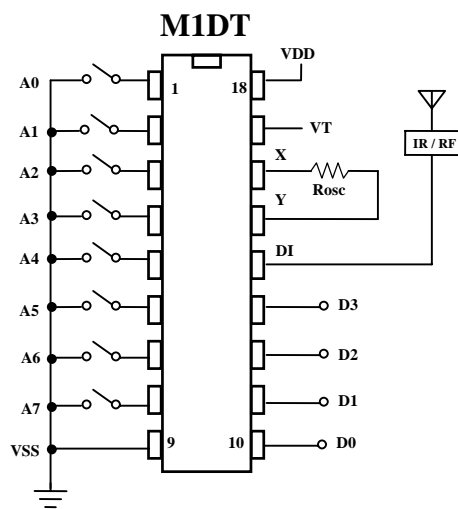
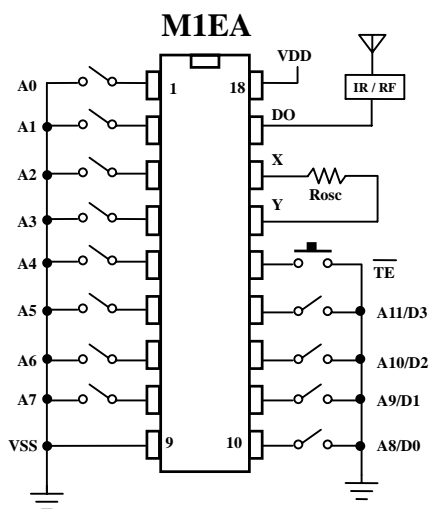
Freq-Rosc Chart
(VDD@4.5V)



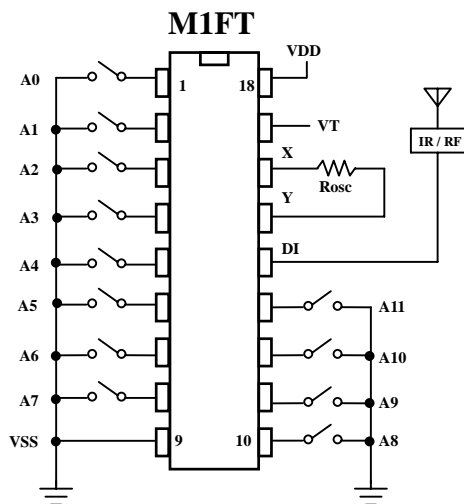
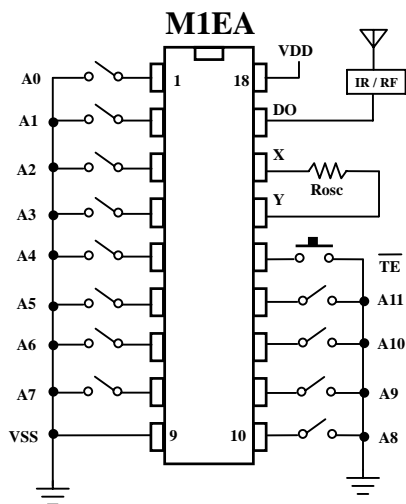


APPLICATION DIAGRAM 参考电路图

(1) DATA TYPE



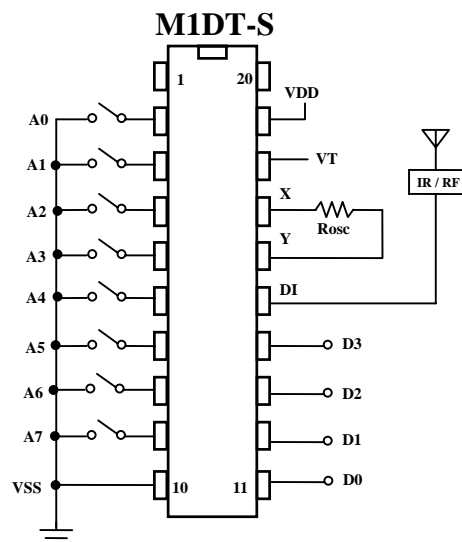
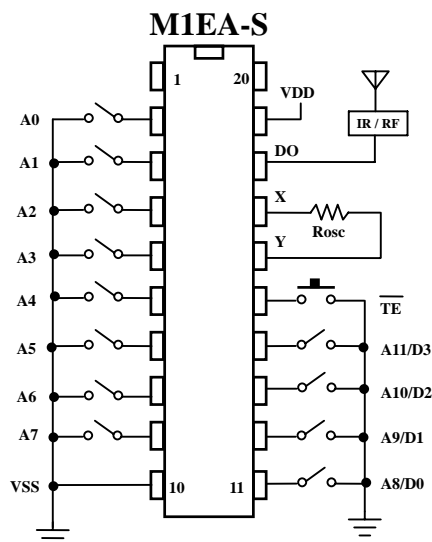
(2) FULL ADDRESS TYPE





APPLICATION DIAGRAM 参考电路图 (SOP PACKAGE)

(1) DATA TYPE



(2) FULL ADDRESS TYPE

