



WIRELESS DOOR CHIME
遥控门铃 IC

M1D-BL

GENERAL DESCRIPTION 功能叙述

The M1D-BL is a CMOS ASIC for wireless door bell receiver use. It will receive the RF signal from M1E (ENCODER) and give a DING-DONG output if address are checked the same..

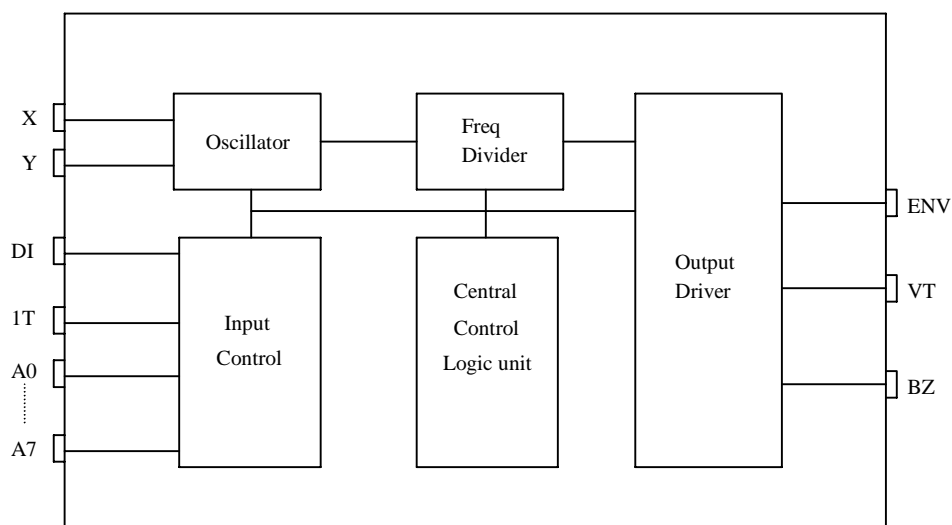
FEATURES 产品特长

- Same Rosc matched to the ENCODER M1E
- $2^8 = 256$ codes, "0", "1" binary
- 3 cycles checked each time
- BZ : DING-DONG / DING-DING sound
- 1T : 1 time option (default 2 times)
- RC envelop

APPLICATIONS 产品应用

- Wireless door bell, visitor chime etc..

BLOCK DIAGRAM 功能方块图



*All specs and applications shown above subject to change without prior notice.
(以上电路及规格仅供参考,本公司得径行修正)



WIRELESS DOOR CHIME
遙控門鈴 IC

M1D-BL

ABSOLUTE MAXIMUM RATING

(TA=25°C)

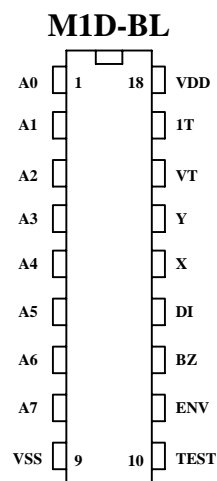
Parameter	Rating	Unit
Supply Voltage	-0.3 to 5.0	V
Input Voltage	-0.2~V _{DD} +0.2	V
Operating Temperature	-20 to 75	°C
Storage Temperature	-50 to 125	°C

ELECTRICAL CHARACTERISTICS

Characteristics	Sym.	Min.	Typ.	Max.	Unit	Conditions
Operating Voltage	V _{DD}	2.4	3	4.5	V	
Operating Current	I _{OP}	—	0.3	1	μ A	
Quiescent Current	I _{SB}	—	1	10	mA	No load
Output Drive Current	I _O	1	—	—	mA	@ V _{DS} =1.2V
Input Voltage	V _{IH}	V _{DD} -0.2	V _{DD}	V _{DD}	V	
	V _{IL}	V _{SS}	V _{SS}	V _{SS} +0.2		
Oscillator Frequency	Fosc	—	80	—	KHz	External ± 30%

PIN DESCRIPTION

No.	Name	Description
1~8	A0~A7	3 states address inputs
9	VSS	Negative power supply
10	TEST	Testing use
11	ENV	RC envelop
12	BZ	Audio output
13	DI	Data input
14	X	Oscillator input
15	Y	Oscillator output
16	VT	Valid transmit
17	1T	OPEN : 2 times VDD : 1 time
18	VDD	Positive power supply

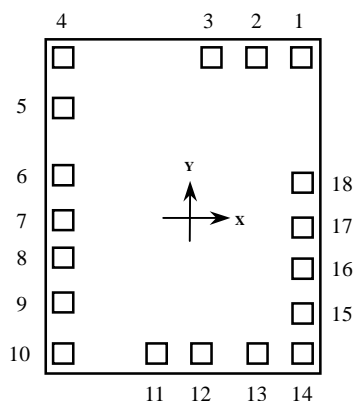




WIRELESS DOOR CHIME
遙控門鈴 IC

M1D-BL

PAD ASSIGNMENT & POSITION



UNIT : um

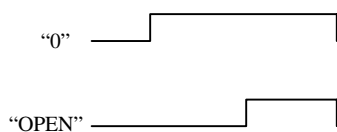
No.	NAME	X	Y
1	BZ	635	812
2	DI	425	812
3	X	192	812
4	Y	-639	812
5	VT	-639	534
6	1T	-639	178
7	VDD	-639	-55
8	A0	-639	-265
9	A1	-639	-505
10	A2	-639	-810
11	A3	-126	-810
12	A4	107	-810
13	A5	402	-810
14	A6	635	-810
15	A7	635	-600
16	VSS	635	-367
17	TEST	635	-157
18	ENV	635	76

* CHIP SIZE ~ 1.58 x 2.03 mm²

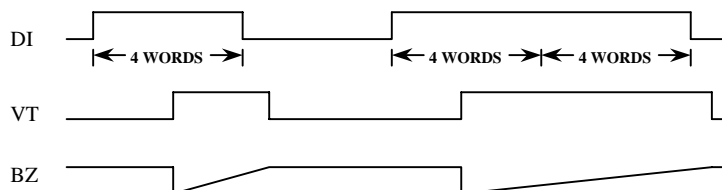
* IC substrate should be connected to VDD in PCB (PCB 上 IC 底座必須接 VDD)

TIMING WAVEFORM

(1) BIT FORMAT



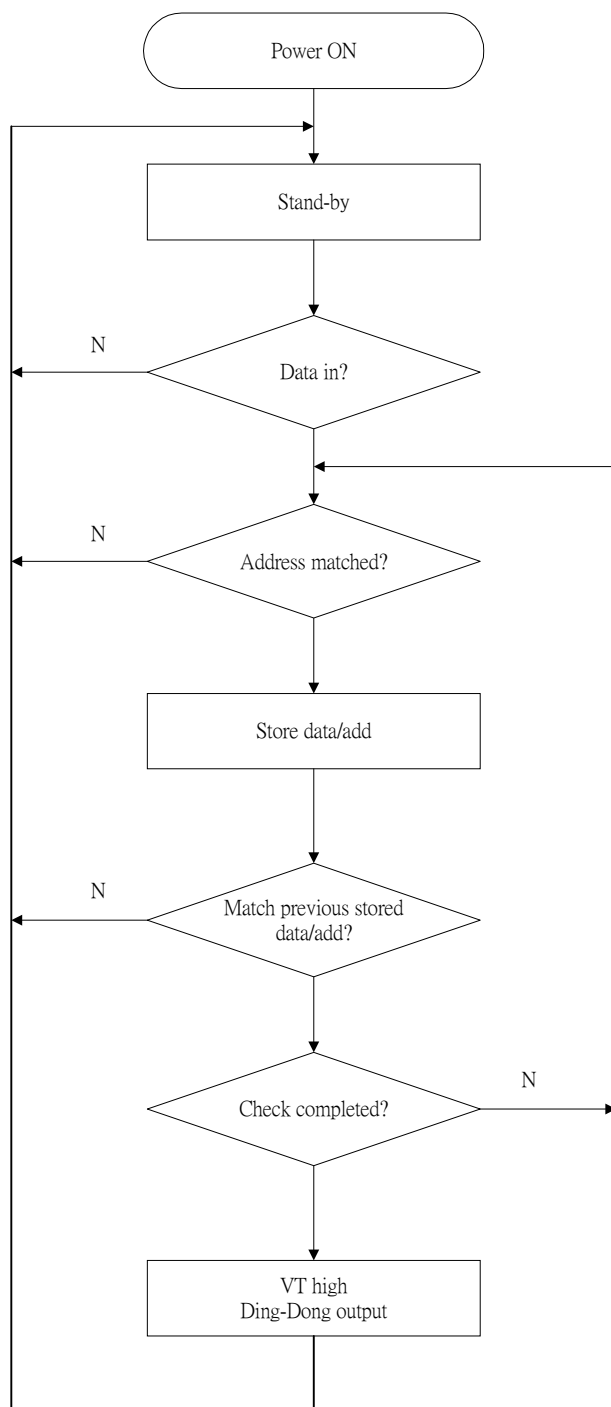
(2) TIMING DIAGRAM





WIRELESS DOOR CHIME
遙控門鈴 IC

OPERATION FLOWCHART

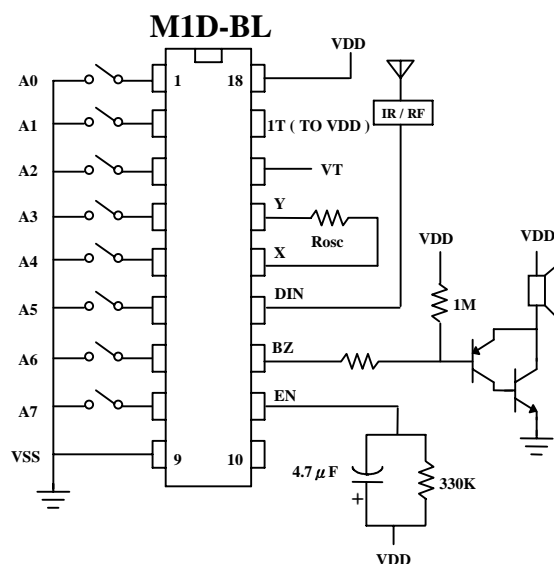
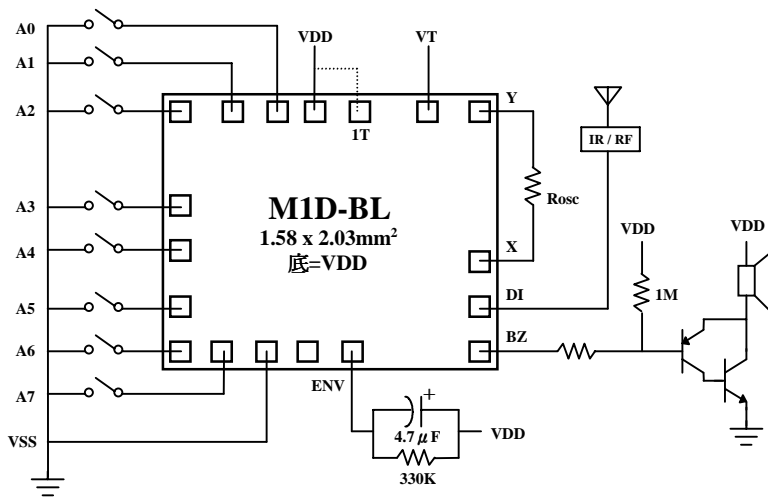
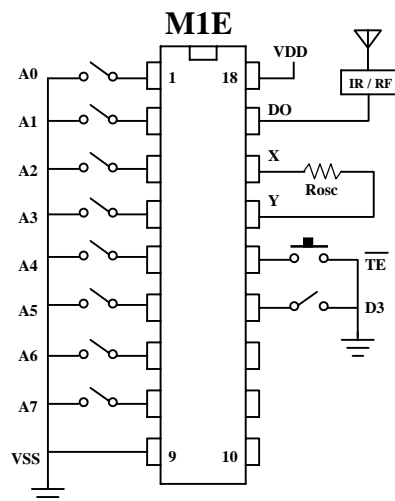
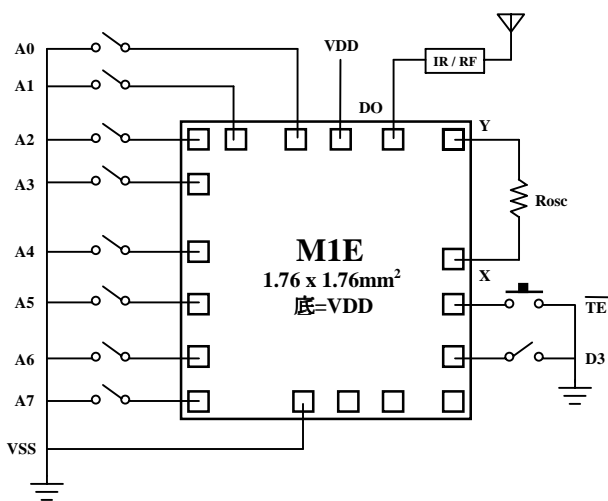




WIRELESS DOOR CHIME

遙控門鈴 IC

APPLICATION DIAGRAM 參考電路圖



D3	SOUND
OPEN	DING DONG
VSS	DING DING