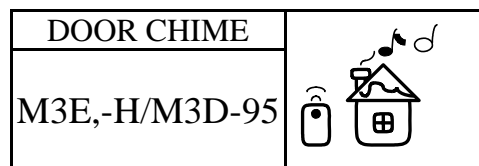




3 STATE DUAL TONES
WIRELESS DOOR BELL

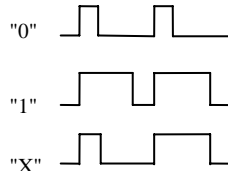
3 态 双 音
遥 控 门 铃 IC



FEATURES 功能叙述

- Direct Data Transmit (Switch to VDD).
- $3^8 = 6561$ security codes.
- 3 door chime sound and 1 melody.
- VT: valid transmission active high.

BIT FORMAT



KEY	SOUND
D0	Ding Dong - Ding Dong
D1	Ding Ding - Ding Ding
D2	WEST MINISTER
D3	For Alice

APPLICATION 产品应用

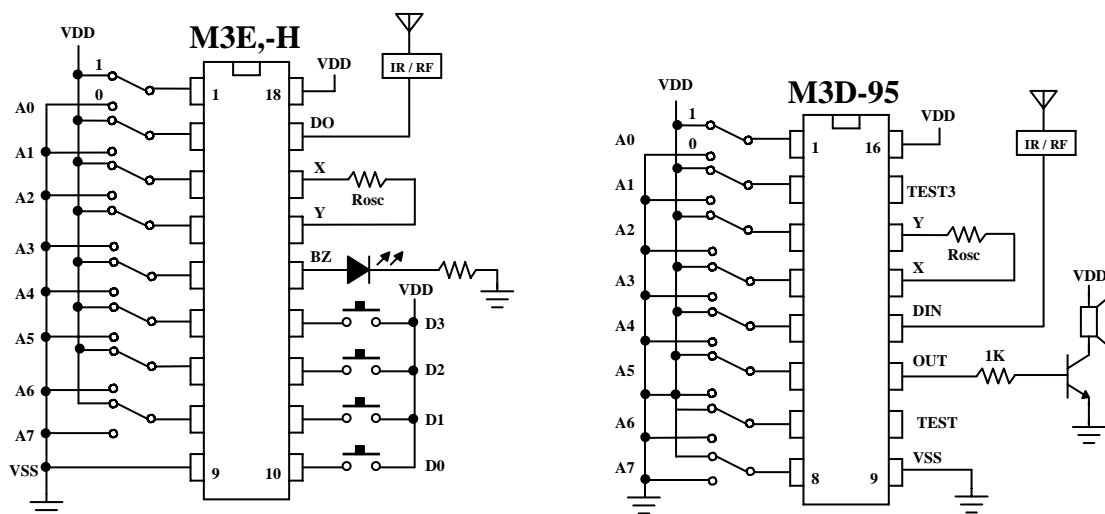
- Door bell system. 门铃系统.

ELECTRICAL CHARACTERISTICS 电气规格

(@V_{DD}=4.5V unless otherwise specified)

Characteristics	Sym.	Min.	Typ.	Max.	Unit	REMARKS
工作电压 Operating Voltage	V _{DD}	2.4	—	13	V	M3E,-H
		2.4	4.5	5		M3D-95
工作电流 Operating Current	I _{OP}	—	0.3	1	mA	No load M3E,-H
		—	—	10		No load M3D-95
静态电流 Quiescent Current	I _{SB}	—	1	10	μ A	
推动电流 Driving Current	I _{OL}	1	—	—	mA	@V _{DS} =1.2V
振荡频率 Oscillator Frequency	F _{OSC}	—	76	—	KHz	M3E,-H: External ± 30%, R _{osc} =360K Ω
		—	80	—		M3D-95: External ± 30%, R _{osc} =240K Ω
工作温度 Operating Temperature	Temp.	0	25	60	°C	

APPLICATION DIAGRAM 参考电路图



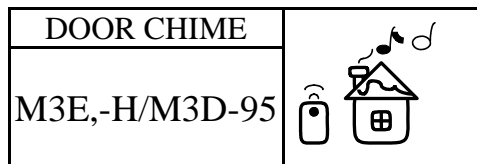
* All specs and applications shown above subject to change without prior notice.

(以上电路及规格仅供参考,本公司得径行修正)

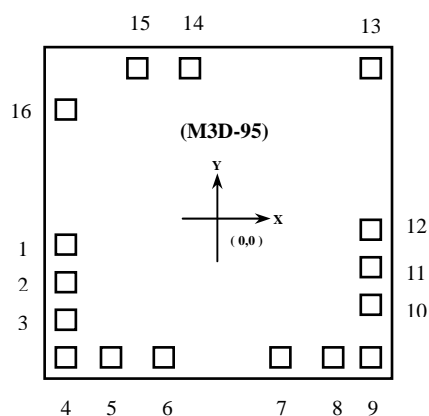


3 STATE DUAL TONES
WIRELESS DOOR BELL

3 态双音
遥控门铃 IC



ASSIGNMENT & POSITION



No.	NAME	X	Y
1	TEST3	-626.75	-130
2	VDD	-626.75	-290
3	A0	-626.75	-450
4	A1	-626.75	-610
5	A2	-442.75	-610
6	A3	-227.75	-610
7	A4	252	-610
8	A5	467	-610
9	A6	627	-610
10	A7	627	-395
11	VSS	627	-235
12	TEST	627	-75
13	BZ	627	604
14	DIN	-108	604
15	OSC1	-323.75	604
16	OSC2	-626.75	434.5

* CHIP SIZE ~ 1.5 x 1.46 mm²

* IC substrate should be connected to VDD in PCB (PCB 上 IC 必须接 VDD)