

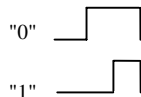
WIRELESS DOOR BELL

遥控门铃 IC

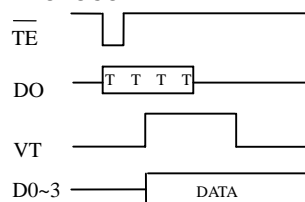
FEATURES 功能叙述

- BZ: DING DONG.
- 1T: 1 time option , Default 2 times.
- $2^8 = 256$  security codes.

BIT FORMAT



PROTOCOL



APPLICATION 产品应用

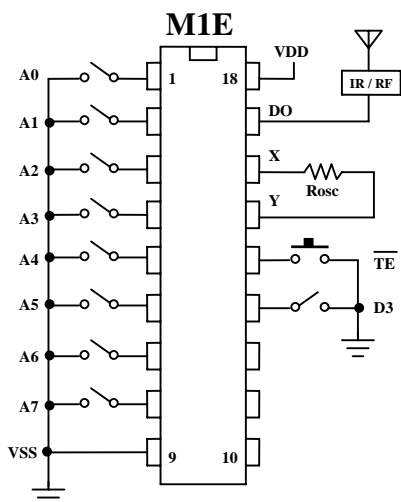
- Door bell system. 门铃系统.

ELECTRICAL CHARACTERISTICS 电气规格

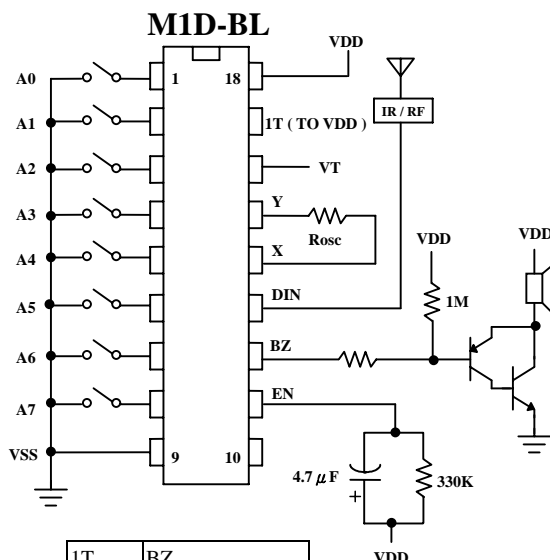
( @  $V_{DD}=4.5V$  unless otherwise specified )

| Characteristics            | Sym.      | Min. | Typ. | Max. | Unit        | REMARKS             |
|----------------------------|-----------|------|------|------|-------------|---------------------|
| 工作电压 Operating Voltage     | $V_{DD}$  | 2.4  | 4.5  | 5    | V           |                     |
| 工作电流 Operating Current     | $I_{OP}$  | —    | 0.3  | 1    | mA          | No load             |
| 静态电流 Quiescent Current     | $I_{SB}$  | —    | 1    | 10   | $\mu A$     |                     |
| 推动电流 Driving Current       | $I_{OL}$  | 1    | —    | —    | mA          | @ $V_{DS} = 1V$     |
| 振荡频率 Oscillator Frequency  | $F_{OSC}$ | —    | 100  | —    | KHz         | External $\pm 30\%$ |
| 工作温度 Operating Temperature | Temp.     | 0    | 25   | 60   | $^{\circ}C$ |                     |

APPLICATION DIAGRAM 参考电路图



|      |           |
|------|-----------|
| D3   | SOUND     |
| OPEN | DING DONG |
| VSS  | DING DING |

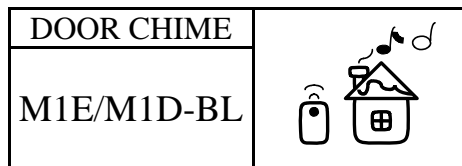


|     |         |
|-----|---------|
| 1T  | BZ      |
| X   | 2 TIMES |
| VDD | 1 TIME  |

\* Rosc ~ M1E: 200K  $\Omega$  ; M1D-BL: 160K  $\Omega$

\* All specs and applications shown above subject to change without prior notice.

( 以上电路及规格仅供参考,本公司得径行修正 )

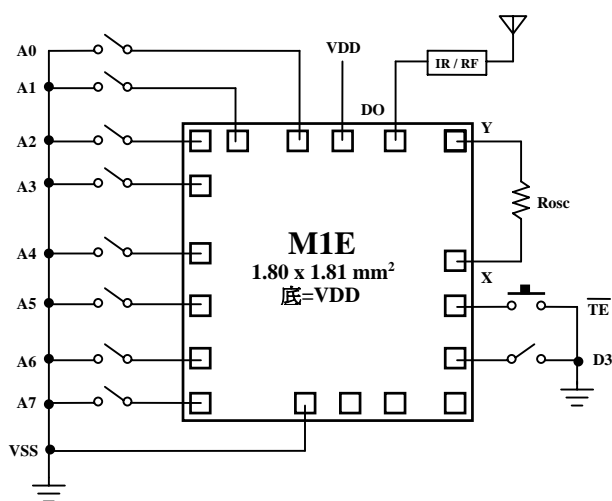


WIRELESS DOOR BELL

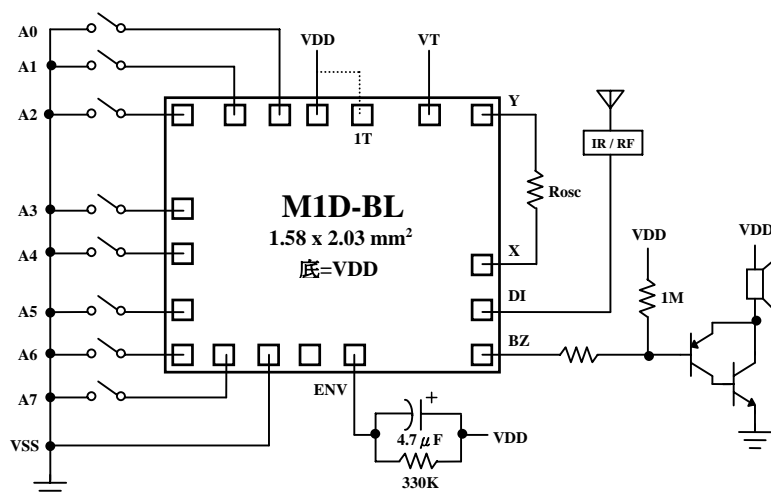
遙控門鈴 IC

APPLICATION DIAGRAM 參考電路圖

\* CHIP FORM



|     |           |
|-----|-----------|
| D3  | SOUND     |
| X   | DING DONG |
| VSS | DING DING |



|     |         |
|-----|---------|
| IT  | BZ      |
| X   | 2 TIMES |
| VDD | 1 TIME  |

\* Rosc ~ M1E: 200K Ω; M1D-BL: 160K Ω

\*All specs and applications shown above subject to change without prior notice.

( 以上電路及規格僅供參考,本公司得徑行修正 )