

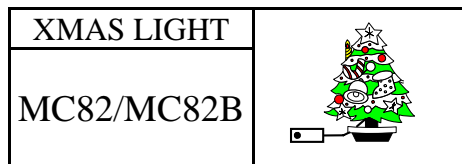




3481+4027

XMAS LIGHT CONTROL

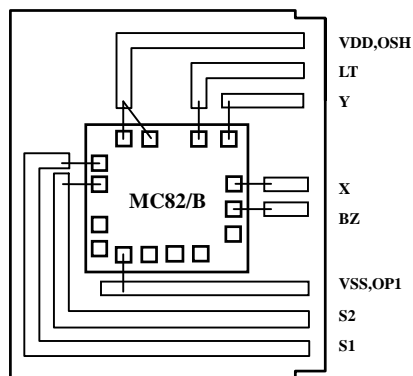
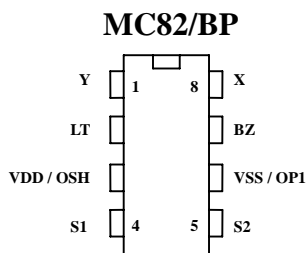
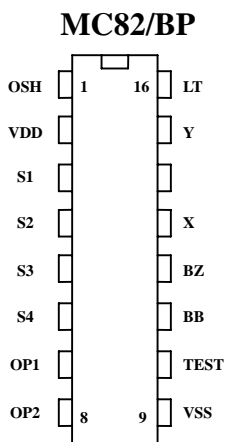
聖誕燈串控制 IC



**MODE FORMAT**

MODE	LT	OP1	OP2	L1	L2	L3	L4
4 燈全亮	VDD			ON	ON	ON	ON
2 燈交替		VSS		OFF	ON		
3 燈追逐		VSS		OFF	OFF	OFF	
				ON	OFF	OFF	
				ON	ON	OFF	
				OFF	ON	ON	
				OFF	OFF	ON	
4 燈追逐				OFF	OFF	OFF	OFF
				ON	OFF	OFF	OFF
				ON	ON	OFF	OFF
				ON	ON	ON	OFF
				ON	ON	ON	ON
				OFF	ON	ON	ON
				OFF	OFF	ON	ON
				OFF	OFF	OFF	ON

**PIN CONFIGURATION**



\* All specs and applications shown above subject to change without prior notice.  
( 以上電路及規格僅供參考,本公司得逕行修正 )