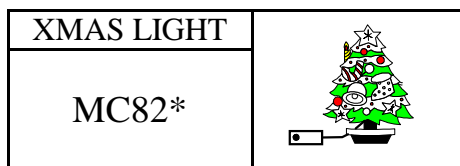




3481+4027

XMAS LIGHT CONTROL

聖誕燈串控制 IC



FEATURES 功能敘述

- 4 SCR outputs.
- Maximum 16 songs.
- Single tone output.

	MC82*	MC82B*
1	JINGLE BELLS	SELOKA
2	SANTA CLAUS	SELANAT
3	SILENT NIGHT	SUASANA
4	JOY TO THE WORLD	SELAMAT
5	RED-NOSED REINDEER	
6	WE WISH XMAS	

APPLICATION 產品應用

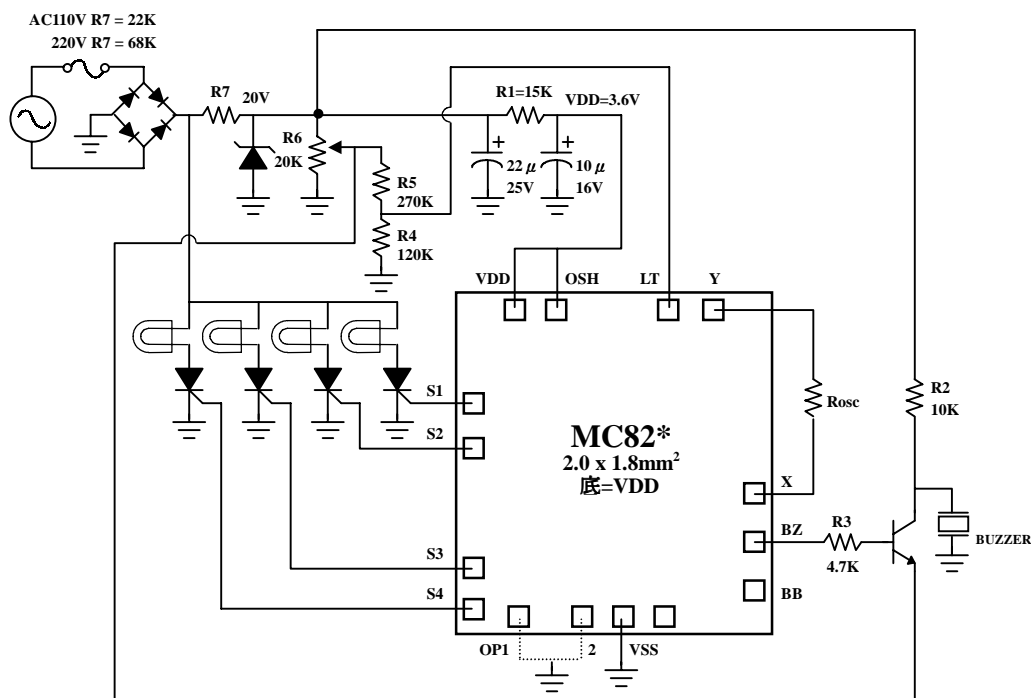
- Xmas light controller, any AC control toys.

ELECTRICAL CHARACTERISTICS 電氣規格

(@ V_{DD}=3.6V unless otherwise specified)

Characteristics	Sym.	Min.	Typ.	Max.	Unit	REMARKS
工作電壓 Operating Voltage	V _{DD}	—	3.6	5	V	
工作電流 Operating Current	I _{OP}	—	—	2	mA	No load
靜態電流 Quiescent Current	I _{SB}	—	—	—	μA	
推動電流 BZ Driving Current	I _{OH}	—	200	—	μA	@ V _{DS} =1V
振盪頻率 Oscillator Frequency	F _{OSC}	—	100	—	KHz	External±30%, Rosc=200KΩ
工作溫度 Operating Temperature	Temp.	0	25	60	°C	

APPLICATION DIAGRAM 參考電路圖



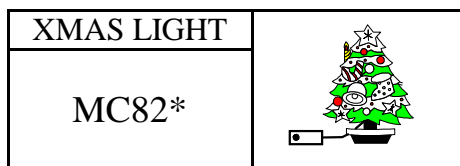
* All specs and applications shown above subject to change without prior notice.
(以上電路及規格僅供參考,本公司得逕行修正)



3481+4027

XMAS LIGHT CONTROL

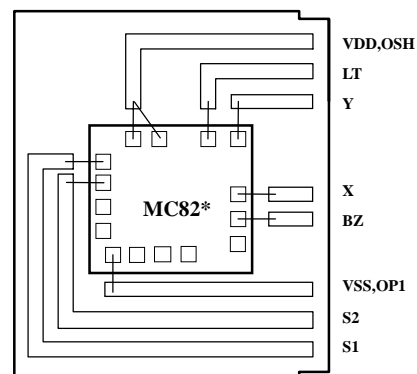
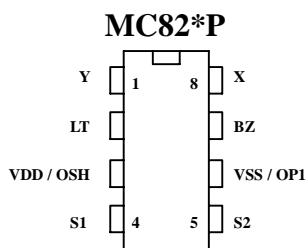
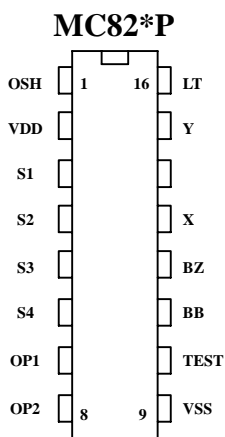
聖誕燈串控制 IC



MODE FORMAT

MODE	LT	OP1	OP2	L1	L2	L3	L4
4 燈全亮	VDD			ON	ON	ON	ON
2 燈交替		VSS		OFF	ON		
3 燈追逐			VSS	ON	OFF	OFF	
				OFF	ON	OFF	
				ON	OFF	OFF	
				ON	ON	OFF	
				OFF	ON	ON	
4 燈追逐				OFF	OFF	OFF	OFF
				ON	OFF	OFF	OFF
				ON	ON	OFF	OFF
				ON	ON	ON	OFF
				ON	ON	ON	ON
				OFF	ON	ON	ON
				OFF	OFF	ON	ON
				OFF	OFF	OFF	ON

PIN CONFIGURATION



* All specs and applications shown above subject to change without prior notice.
(以上電路及規格僅供參考,本公司得逕行修正)