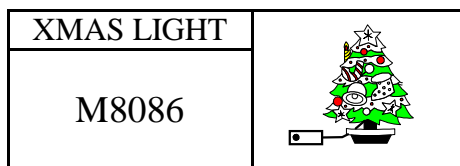




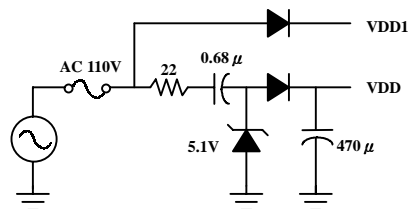
1024 NOTES 32 TUNES  
DUAL TONE MELODY

VR 控制音量  
雙音音樂聖誕燈串 IC



### FEATURES 功能敘述

- AUTO : Automatic scan.
- SEL : Section select.
- FB : VR 調節音量.
- Maximum 32 songs.



### APPLICATION 產品應用

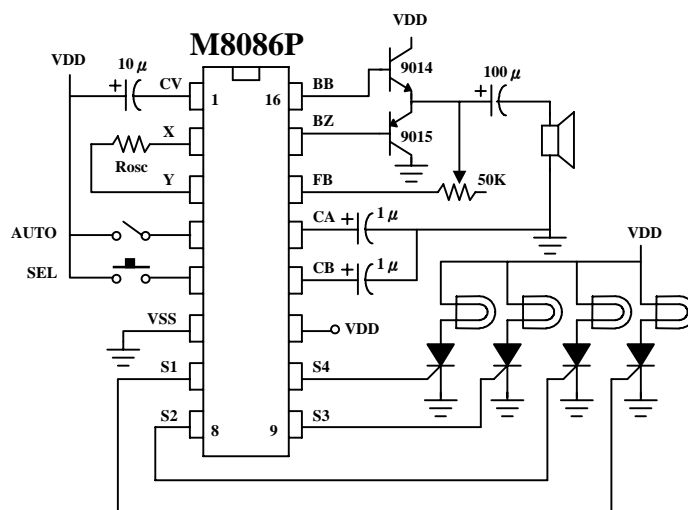
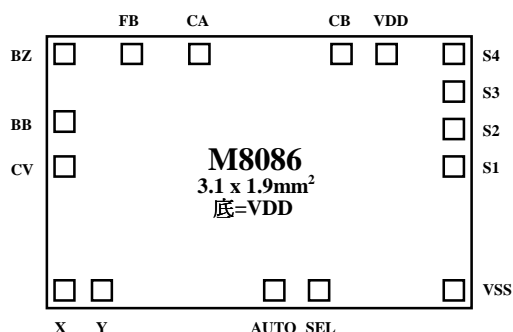
- Xmas light control etc..

### ELECTRICAL CHARACTERISTICS 電氣規格

( @V<sub>DD</sub>=4.3V unless otherwise specified )

Characteristics	Sym.	Min.	Typ.	Max.	Unit	REMARKS
工作電壓 Operating Voltage	V <sub>DD</sub>	—	4.3	5	V	
工作電流 Operating Current	I <sub>OP</sub>	—	—	2	mA	No load
推動電流 BZ Driving Current	I <sub>OH</sub>	—	0.2	—	mA	@ V <sub>DS</sub> =1V
振盪頻率 Oscillator Frequency	F <sub>OSC</sub>	—	100	—	KHz	External±30%, R <sub>osc</sub> =220KΩ
工作溫度 Operating Temperature	Temp.	0	25	60	°C	

### APPLICATION DIAGRAM 參考電路圖



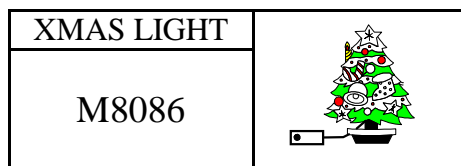
\* All specs and applications shown above subject to change without prior notice.

( 以上電路及規格僅供參考,本公司得逕行修正 )



1024 NOTES 32 TUNES  
DUAL TONE MELODY

VR 控制音量  
雙音音樂聖誕燈串 IC



### MODE FORMAT

MODE	AUTO	SEL	LIGHT	MELODY
M1	X	VDD	同時	同步
M2	X	VDD	2 組交替	同步
M3	X	VDD	1 燈跑馬	同步
M4	X	VDD	2 燈跑馬	同步
M5	X	VDD	M1~M4 循環	同步
M6	X	VDD	M1~M4 循環	靜音
M7	X	VDD	全亮	靜音
M1	VDD	X	同時	一首歌結束即換下一 MODE
M2	VDD	X	2 組交替	一首歌結束即換下一 MODE
M3	VDD	X	1 燈跑馬	一首歌結束即換下一 MODE
M4	VDD	X	2 燈跑馬	一首歌結束即換下一 MODE

### SONG LIST

- |                                     |  |
|-------------------------------------|--|
| 1. JINGLE BELLS                     | 12. O COME, ALL YA FAITHFUL            |
| 2. SILENT NIGHT                     | 13. FROSTY THE SNOW MAN                |
| 3. WE WISH YOU A MERRY XMAS         | 14. WHITE XMAS                         |
| 4. SANTA CLAUS IS COMING TO TOWN    | 15. THE LITTLE DRUMMER BOY             |
| 5. HARK! THE HERALD ANGELS SING     | 16. THE TWELVE DAYS OF XMAS            |
| 6. ANGELS WE HAVE HERAD ON HIGH     | 17. O LITTLE TOWN OF BETHLEHEM         |
| 7. JOY TO THE WORLD                 | 18. HERE COME SANTA CLAUS              |
| 8. O XMAS TREE                      | 19. God rest you merry, gentlemen hark |
| 9. THE FIRST NOEL                   | 20. SILVER BELL                        |
| 10. DECK THE HALLS                  | 21. WINTER WONDERLAND                  |
| 11. RUDOLPH, THE RED-NOSED REINDEER |  |