




VOICE	
M5103	

3 SEC VOICE

3 秒語音 IC

FEATURES 功能敘述

- LO : BusyH, BusyL, StopH, StopL, 3 Hz, 6 Hz, 1/4 1/2 3/4 level.
- PW1 : PWM output 1.
- PW2 : PWM output 2.
- TG : OSH LH CONT RETRIG IRRETRIG
- Debounce time : 10ms 50 μ s
- Voice + Mute length MAX. 5.3 sec, repeat 8 times.

APPLICATION 產品應用

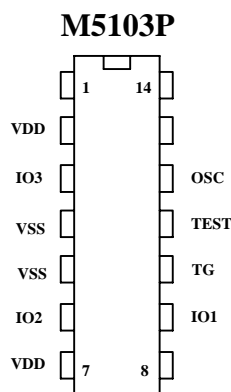
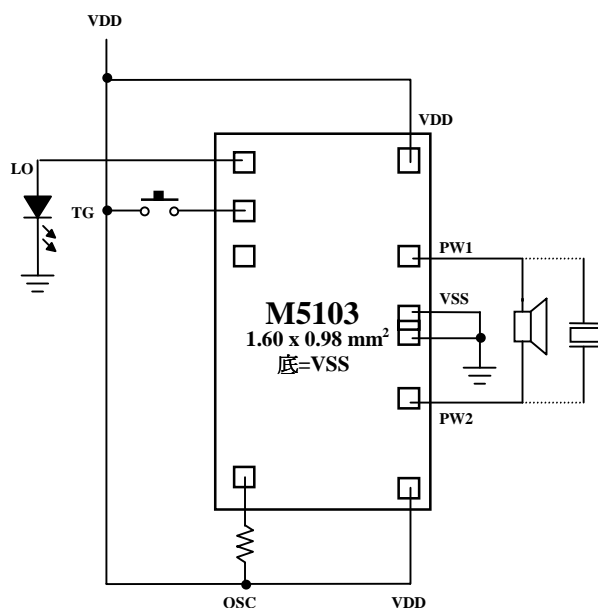
- Toy s, Clock, Pager, Game etc..

ELECTRICAL CHARACTERISTICS 電氣規格

(@V_{DD}=3V unless otherwise specified)


Characteristics	Sym.	Min.	Typ.	Max.	Unit	REMARKS
工作電壓 Operating Voltage	V _{DD}	2.4	3	5.0	V	
工作電流 Operating Current	I _{OP}	—	0.2	1	mA	No load
靜態電流 Quiescent Current	I _{SB}	—	1	5	μ A	
推動電流 AUD Driving Current	I _O	—	-3	—	mA	@ Vout=0.7V, Full Scale
推動電流 LO Driving Current	I _{OH}	1	—	—	mA	@ Vout=2V
	I _{OL}	3	—	—		@ Vout=1.0V
振盪頻率 Oscillator Frequency	F _{OSC}	—	768	—	KHz	External \pm 30%, R _{osc} =270K Ω
工作溫度 Operating Temperature	Temp.	-10	25	60	$^{\circ}$ C	

APPLICATION DIAGRAM 參考電路圖



*All specs and applications shown above subject to change without prior notice.
(以上電路及規格僅供參考,本公司得逕行修正)

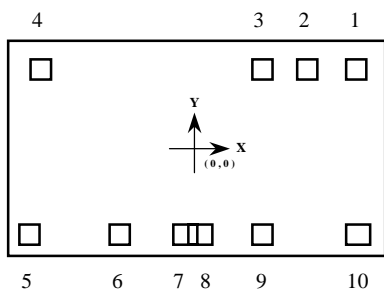


VOICE	
M5103	

3 SEC VOICE

3 秒語音 IC

PAD ASSIGNMENT & POSITION



UNIT : um

No.	NAME	X	Y
1	LO	629.2	313.9
2	TG	425.5	313.9
3	TEST	235.8	320.2
4	OSC	-613.7	311.7
5	VDD	-651.2	-321.4
6	PW2	-279.1	-321.4
7	VSS	-27.9	-321.4
8	VSS	27.9	-321.4
9	PW1	279.1	-321.4
10	VDD	651.2	-321.4

* CHIP SIZE ~ 1.60 x 0.98 mm²

* IC substrate should be connected to VSS in PCB (PCB 上 IC 必須接 VSS)