




|        |   |
|--------|---|
| VOICE  |  |
| M50311 |   |

MOBILE PHONE

大哥大语音 IC

### FEATURES 功能敘述

- Direct driver speaker.
- Debounce time : 10ms.
- M50311-1 English 英文.
- M50311-2 Chinese 中文.
- M50311-3 SPANISH 西班牙文.

| TRIGGER | SOUND                                   |
|---------|---|
| K1      | RINGING SOUND                           |
| K2      | MELODY                                  |
| K3      | DO DO SOUND                             |
| K4      | REDIAL SOUND+MAY I HELP YOU?            |
| K5      | DO DO SOUND+INFORMATION+MAY I HELP YOU? |
| K6      | RINGING SOUND+OPERATOR+MAY I HELP YOU?  |
| K7      | RE RE SOL +OPERATOR                     |

### APPLICATION 產品應用

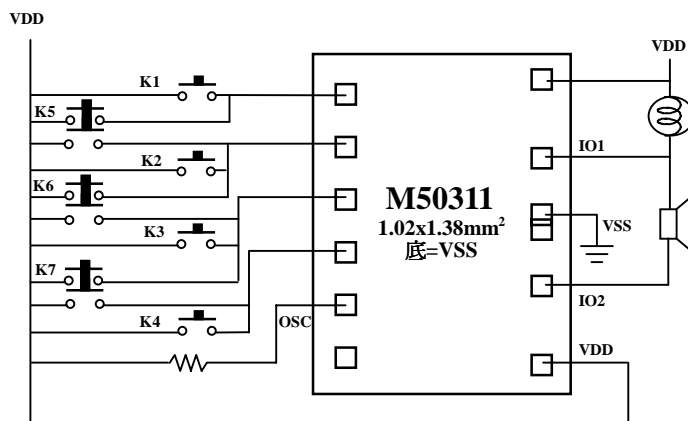
- Mobile phone, etc..

### ELECTRICAL CHARACTERISTICS 電氣規格

( @V<sub>DD</sub>=3V unless otherwise specified )

| Characteristics            | Sym.             | Min. | Typ. | Max. | Unit | REMARKS                   |
|----------------------------|------------------|------|------|------|------|---------------------------|
| 工作電壓 Operating Voltage     | V <sub>DD</sub>  | 2.4  | 3    | 5.0  | V    |                           |
| 工作電流 Operating Current     | I <sub>OP</sub>  | —    | 0.2  | 1    | mA   | No load                   |
| 靜態電流 Quiescent Current     | I <sub>SB</sub>  | —    | 1    | 5    | μA   |                           |
| 推動電流 AUD Driving Current   | I <sub>O</sub>   | 20   | —    | —    | mA   | @ Vout=0.7V               |
| 推動電流 LO Driving Current    | I <sub>OH</sub>  | 1    | —    | —    | MA   | @ Vout=2V                 |
|                            | I <sub>OL</sub>  | 3    | —    | —    |      | @ Vout=1.0V               |
| 振盪頻率 Oscillator Frequency  | F <sub>OSC</sub> | —    | 768  | —    | KHz  | External± 30%, Rosc=300KΩ |
| 工作溫度 Operating Temperature | Temp.            | 0    | 25   | 60   | °C   |                           |

### APPLICATION DIAGRAM 參考電路圖



\*All specs and applications shown above subject to change without prior notice.  
( 以上電路及規格僅供參考,本公司得逕行修正 )