

MOBILE PHONE

大哥大语音 IC

FEATURES 功能敘述

- M50310 ENGLISH 英文.
- M50310-1 CHINESE 中文.
- M50310-2 SPANISH 西班牙文.

TRIGGER	SOUND
K2	RINGING SOUND
K3	THE LITTLE BEE SONG
K4	BI SOUND
K5	REDIAL SOUND+MAY I HELP YOU?
K6(K2+K3)	DO DO SOUND+INFORMATION+MAY I HELP YOU?
K7(K3+K4)	RINGING SOUND+OPERATOR+MAY I HELP YOU?
K8(K4+K5)	DO DO SOUND+OPERATOR

APPLICATION 產品應用

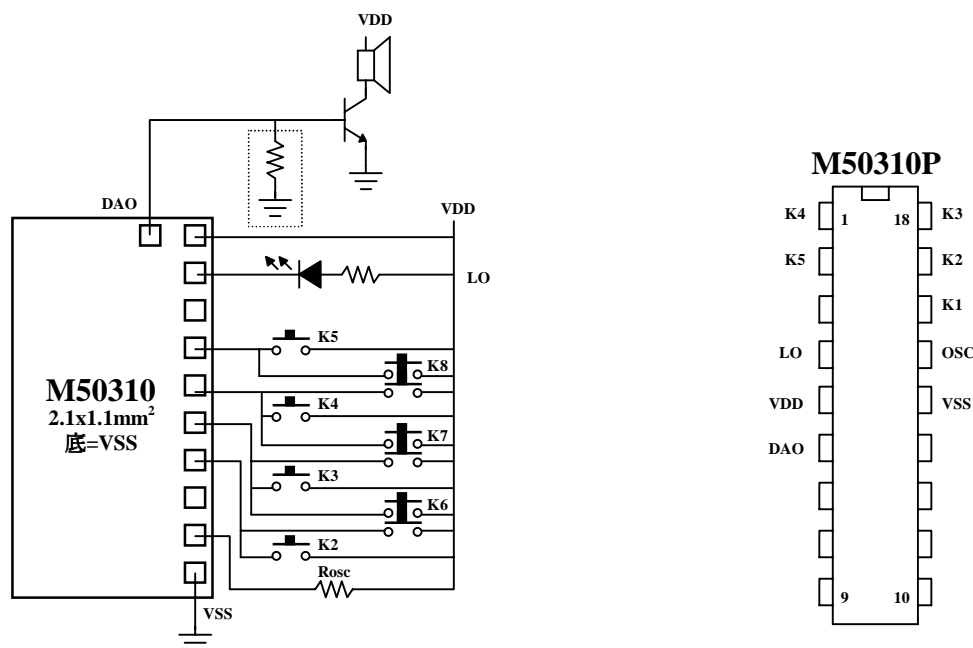
- Mobile phone, etc..

ELECTRICAL CHARACTERISTICS 電氣規格

(@V_{DD}=3V unless otherwise specified)

Characteristics	Sym.	Min.	Typ.	Max.	Unit	REMARKS
工作電壓 Operating Voltage	V _{DD}	2.4	3	5.0	V	
工作電流 Operating Current	I _{OP}	—	0.2	1	mA	No load
靜態電流 Quiescent Current	I _{SB}	—	1	5	μA	
推動電流 AUD Driving Current	I _O	—	-3	—	mA	@ V _{out} =0.7V, Full Scale
推動電流 LO Driving Current	I _{OH}	1	—	—	MA	@ V _{out} =2V
	I _{OL}	3	—	—		@ V _{out} =1.0V
振盪頻率 Oscillator Frequency	F _{OSC}	—	96	—	KHz	External±30%, R _{osc} =240KΩ
工作溫度 Operating Temperature	Temp.	0	25	60	°C	

APPLICATION DIAGRAM 參考電路圖



*All specs and applications shown above subject to change without prior notice.

(以上電路及規格僅供參考,本公司得逕行修正)