



4 KEYS

BI-BI CALL

嗶嗶扣聲

SOUND EFFECT

PSG61



### FEATURES 功能敘述

- 4 programmable sound output.
- LED blinking output.

KEY	SOUND	TIME
K1	BI BI BI-	2
K2	---BI	6
K3	LED FLASH	
K4	RING TONE	

### APPLICATION 產品應用

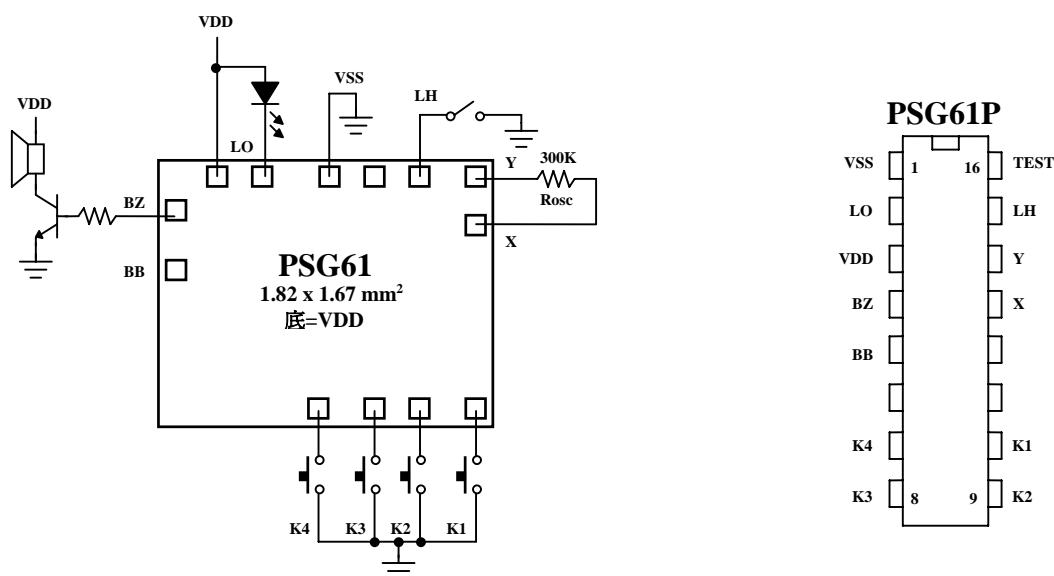
- Toys, Blink game, BI-BI call game etc..

### ELECTRICAL CHARACTERISTICS 電氣規格

( @V<sub>DD</sub>=3V unless otherwise specified )

Characteristics	Sym.	Min.	Typ.	Max.	Unit	REMARKS
工作電壓 Operating Voltage	V <sub>DD</sub>	—	3	3.5	V	
工作電流 Operating Current	I <sub>OP</sub>	—	0.1	0.5	mA	No load
靜態電流 Quiescent Current	I <sub>SB</sub>	—	1	5	μA	
推動電流 BZ Driving Current	I <sub>O</sub>	1	—	—	mA	@V <sub>DS</sub> =1V
推動電流 LO Driving Current	I <sub>OL</sub>	6	—	—	mA	@V <sub>DS</sub> =1.2V
振盪頻率 Oscillator Frequency	F <sub>OSC</sub>	—	64	—	KHz	External±30% Rosc=270KΩ
工作溫度 Operating Temperature	Temp.	0	25	60	°C	

### APPLICATION DIAGRAM 參考電路圖



\*All specs and applications shown above subject to change without prior notice.

( 以上電路及規格僅供參考,本公司得逕行修正 )