

RING TONE

響鈴 1/2/3 聲

FEATURES 功能敘述

- MODE : ONE-SHOT

LEVEL-HOLD 1

LEVEL-HOLD 2 (Repeat)

VT	次數	控制
M2371	1 聲	OSH&LH
M23712	2 聲	OSH&LH
M23713	3 聲	OSH&LH

APPLICATION 產品應用

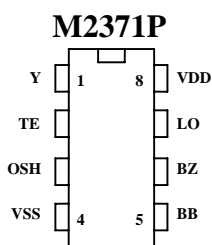
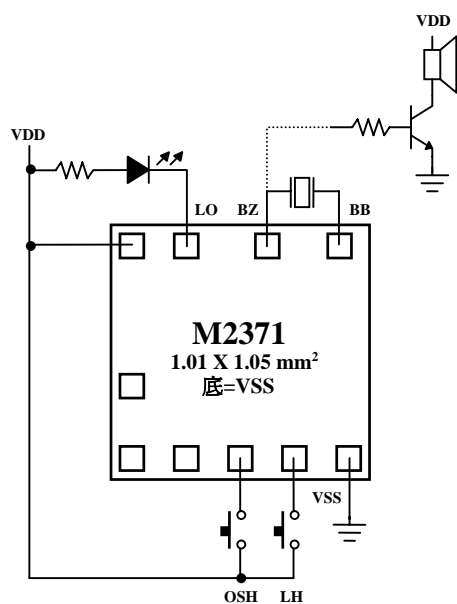
- Telephone system ,Toy etc..

ELECTRICAL CHARACTERISTICS 電氣規格

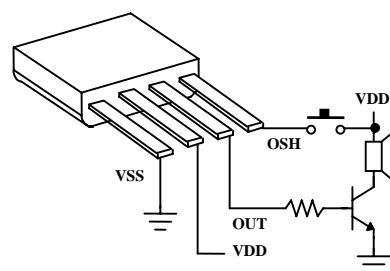
(@V_{DD}=3V unless otherwise specified)

Characteristics	Sym.	Min.	Typ.	Max.	Unit	REMARKS
工作電壓 Operating Voltage	V _{DD}	—	3	3.5	V	
工作電流 Operating Current	I _{OP}	—	0.1	0.5	mA	No load
靜態電流 Quiescent Current	I _{SB}	—	1	5	μA	
推動電流 BZ Driving Current	I _O	1	—	—	mA	@ V _{DS} =1V
推動電流 LO Driving Current	I _{OL}	2	—	—	mA	@ V _{DS} =1.2V
振盪頻率 Oscillator Frequency	F _{OSC}	—	100	—	KHz	±30% TOL.
工作溫度 Operating Temperature	Temp.	0	25	60	°C	

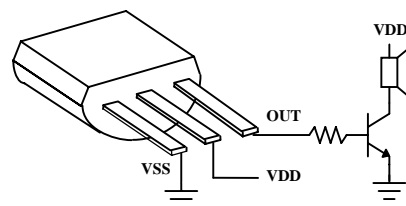
APPLICATION DIAGRAM 參考電路圖



TO93-4L (Suffix-F)



TO92-3L



*All specs and applications shown above subject to change without prior notice.

(以上電路及規格僅供參考,本公司得逕行修正)