



BIRD, CHICKEN, CRICKET CRY
FROG CRY, BI-BI CALL

鳥叫, 雞叫, 蟋蟀叫
青蛙叫, 嗶嗶扣

SOUND EFFECT

M2352/3/4/5/6



FEATURES 功能敘述

- Separate LED and BUZZER driver.
- MODE : ONE-SHOT

LEVEL-HOLD 1

LEVEL-HOLD 2 (Repeat)

M23521	Bird		鳥叫聲	
M23522	Canary		金絲雀叫	
M2353	Chicken	2 times	雞叫聲	2 聲
M23531	Chicken	1 time	雞叫聲	1 聲
M23534	Chicken	4 times	雞叫聲	4 聲
M2354	Cricket Cry		蟋蟀叫	
M2355	Frog Cry		青蛙叫	
M2356	Bi-Bi Call		嗶嗶扣	

APPLICATION 產品應用

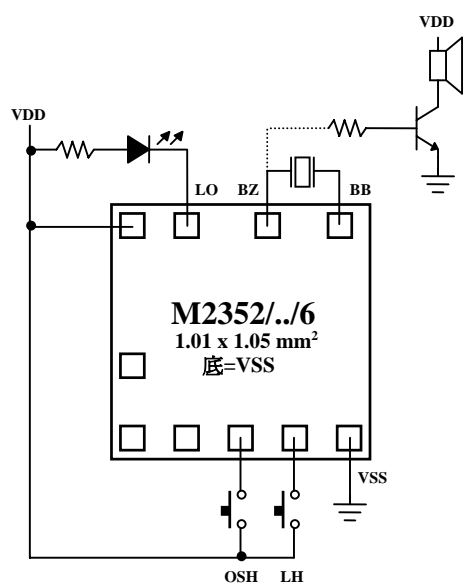
- Toys, Key chain, Door Bell.

ELECTRICAL CHARACTERISTICS 電氣規格

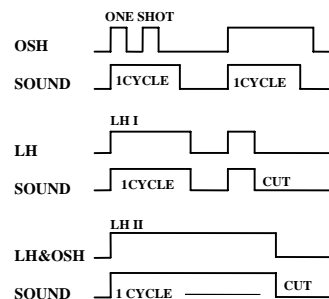
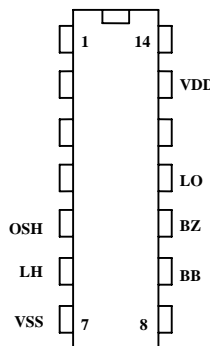
(@V_{DD}=3V unless otherwise specified)

Characteristics	Sym.	Min.	Typ.	Max.	Unit	REMARKS
工作電壓 Operating Voltage	V _{DD}	—	3	3.5	V	
工作電流 Operating Current	I _{OP}	—	0.1	0.5	mA	No load
靜態電流 Quiescent Current	I _{SB}	—	1	5	μA	
推動電流 BZ Driving Current	I _O	1	—	—	mA	@V _{DS} =1V
推動電流 LO Driving Current	I _{OL}	6	—	—	mA	@V _{DS} =1.2V
振盪頻率 Oscillator Frequency	F _{OSC}	—	100	—	KHz	±30% TOL.
工作溫度 Operating Temperature	Temp.	0	25	60	°C	

APPLICATION DIAGRAM 參考電路圖



M2352../56P



*All specs and applications shown above subject to change without prior notice.

(以上電路及規格僅供參考,本公司得逕行修正)