



768 NOTES

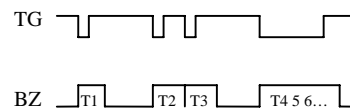
1 KEY 24 TUNES

768 音符 24 首歌音樂

MELODY	
M948D	

FEATURES 功能敘述

- Up to 24 tunes.
- 1 sequence trigger key.
- Digital Envelope.



APPLICATION 產品應用

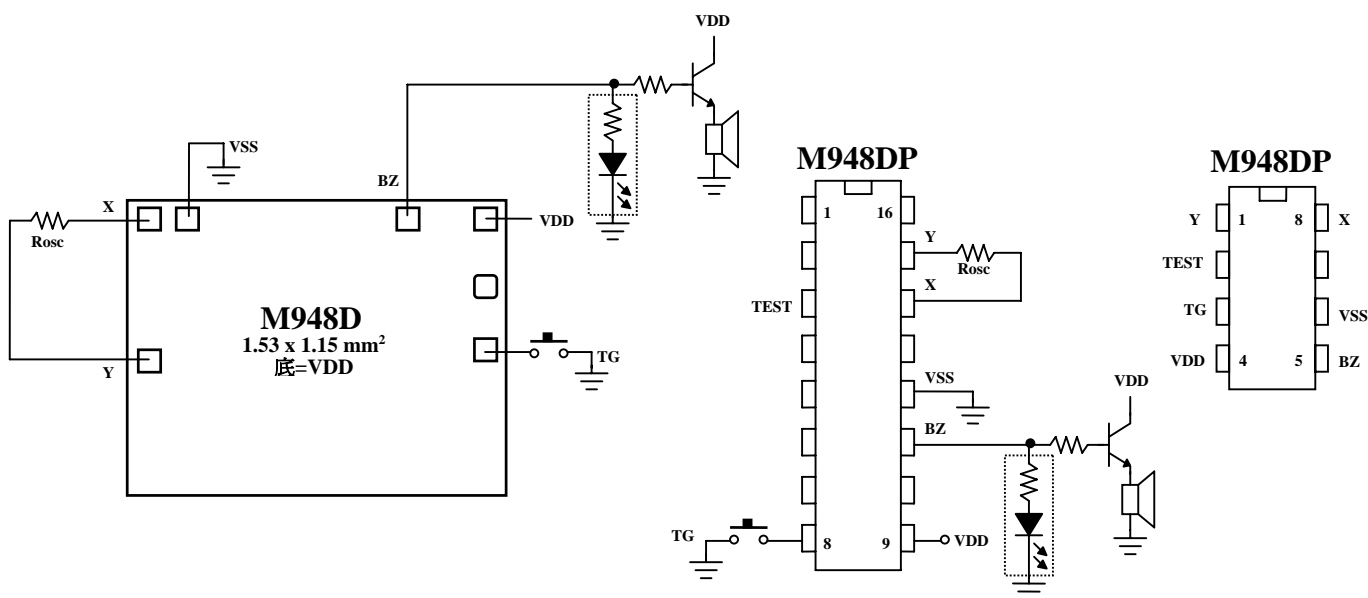
- Toys, Clock melody etc..

ELECTRICAL CHARACTERISTICS 電氣規格

(@V_{DD}=3V unless otherwise specified)

Characteristics	Sym.	Min.	Typ.	Max.	Unit	REMARKS
工作電壓 Operating Voltage	V _{DD}	1.5	3	4.5	V	
工作電流 Operating Current	I _{OP}	—	5	7	mA	No load
靜態電流 Quiescent Current	I _{SB}	—	1	5	μA	
推動電流 BZ Driving Current	I _O	1	—	—	mA	@V _{DS} =1V
振盪頻率 Oscillator Frequency	F _{OSC}	—	100	—	KHz	External±30%, R _{osc} =220KΩ
工作溫度 Operating Temperature	Temp.	0	25	60	°C	

APPLICATION DIAGRAM 參考電路圖



*All specs and applications shown above subject to change without prior notice.

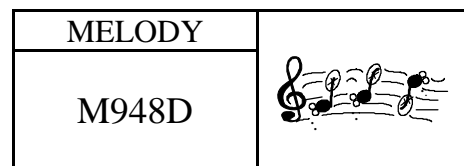
(以上電路及規格僅供參考,本公司得逕行修正)



768 NOTES

1 KEY 24 TUNES

768 音符 24 首歌音樂



SONG LIST

M948D-2 :

- | | |
|----------------------------------|------------------------------|
| 1. AMERICAN PATROL | 7. ARE YOU SLEEPING |
| 2. RABBITS | 8. HAPPY BIRTHDAY TO YOU |
| 3. OH! MY DARLING CLEMENTINE | 9. TOY SYMPHONY |
| 4. BUTTERFLY | 10. HOME SWEET HOME |
| 5. LONDON BRIDGE IS FALLING DOWN | 11. LULLABY |
| 6. ROW, ROW, ROW YOUR BOAT | 12. SHE WORE A YELLOW RIBBON |

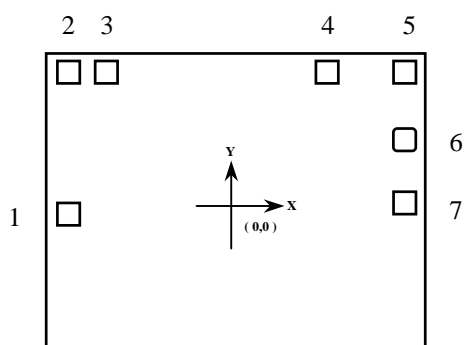
M948D-3 :

- | | |
|--------------------------------|----------------------------|
| 1. TWINKLE TWINKLE LITTLE STAR | 9. CHIM CHIM CHERECE |
| 2. FORGE IN THE FOREST | 10. TREE |
| 3. TOY SYMPHONY | 11. CLOCK |
| 4. AMERICAN PATROL | 12. MARY HAD A LITTLE LAMB |
| 5. LONG LONG AGE | 13. WIEGENLIED |
| 6. OH! MY DARLING CLEMENTINE | 14. SUR LE PONT D'AVIGNON |
| 7. CUCKOO WALTZ | 15. YANKEE DOODLE |
| 8. L'EAU VIVE | 16. LITTLE BROWN JUG |

M948D-1 : MELODY + CLOCK CHIME

- | | | | |
|----------------------------------|------------|-----------------------|-------------|
| 1. LONG LONG AGO | + 1 chime | 7. FOR ALICE | + 7 chimes |
| 2. A LOVER'S CONCERTO | + 2 chimes | 8. NEW WORLD | + 8 chimes |
| 3. MOONLIGHT ON THE COLORADO | + 3 chimes | 9. OH! SUSANNA | + 9 chimes |
| 4. SOUVENIR D'ENFANCE | + 4 chimes | 10. HOME SWEET HOME | + 10 chimes |
| 5. A DREAMING OF HOME AND MOTHER | + 5 chimes | 11. SANTA LUCIA | + 11 chimes |
| 6. HAPPY LIFE | + 6 chimes | 12. LA REINE DEO SABA | + 12 chimes |

PAD ASSIGNMENT & POSITION



UNIT : um

No.	NAME	X	Y
1	Y	-650	-89.75
2	X	-650	462.50
3	VSS	-500	462.50
4	BZ	347.50	462.50
5	VDD	649	462.50
6	TEST	649	193.75
7	TG	649	-55.75

* CHIP SIZE ~ 1.53 x 1.15 mm².

* IC substrate should be connected to VDD in PCB (PCB 上 IC 必須接 VDD)

All specs and applications shown above subject to change without prior notice.

(以上電路及規格僅供參考,本公司得逕行修正)