



M9130 Int. Rosc  
M9131 Ext. Rosc  
CDS, OSH & ON/OFF

M9130 內建振盪  
M9131 可調頻率  
128 音符音樂 IC

MELODY	
M9130/M9131	

### FEATURES 功能敘述

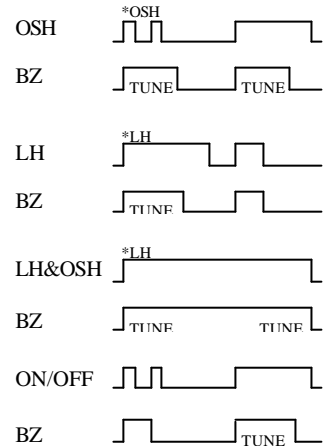
Separate LED and BUZZER driver.

MODE : ONE-SHOT

LEVEL-HOLD 1

LEVEL-HOLD 2

ON/OFF (Suffix-X)



### APPLICATION 產品應用

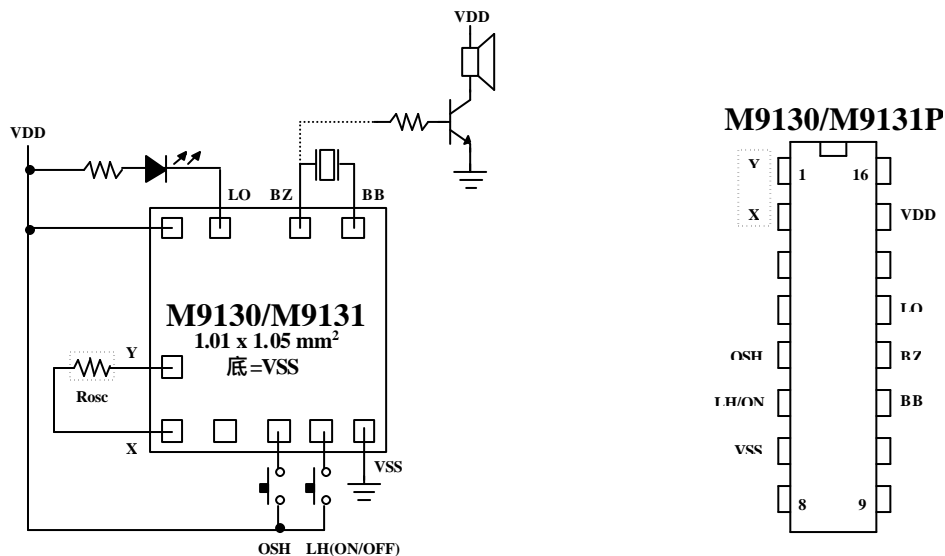
Toys, Key chain etc.

### ELECTRICAL CHARACTERISTICS 電氣規格

( @  $V_{DD}=1.5V$  unless otherwise specified )

Characteristics	Sym.	Min.	Typ.	Max.	Unit	REMARKS
工作電壓 Operating Voltage	$V_{DD}$		1.5	3.5	V	
工作電流 Operating Current	$I_{OP}$		0.1	0.5	mA	No load
靜態電流 Quiescent Current	$I_{SB}$		1	5	$\mu A$	
推動電流 BZ Driving Current	$I_O$	1			mA	@ $V_{DS}=1V$
推動電流 LO Driving Current	$I_{OL}$	6			mA	@ $V_{DS}=1.2V$
振盪頻率 Oscillator Frequency	$F_{OSC}$		100		KHz	External $\pm 30\%$ , Rosc=200K
工作溫度 Operating Temperature	Temp.	0	25	60		

### APPLICATION DIAGRAM 參考電路圖



\*All specs and applications shown above subject to change without prior notice.  
( 以上電路及規格僅供參考,本公司得逕行修正 )



一華半導體股份有限公司  
MOSDESIGN SEMICONDUCTOR CORP.

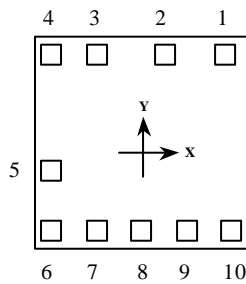
TAIPEI : TEL : 886-2- 22783733  
FAX : 886-2- 22783633  
H.K. TEL : 852- 27569109  
FAX : 852- 27566961

M9130 Int. Rosc  
M9131 Ext. Rosc  
CDS, OSH & ON/OFF

M9130 內建振盪  
M9131 可調頻率  
128 音符音樂 IC

MELODY	
M9130/M9131	

### PAD ASSIGNMENT & POSITION



No.	NAME	UNIT : um	
		X	Y
1	BB	295	345
2	BZ	49	345
3	LO	-181	345
4	VDD	-361	345
5	Y	-361	-159
6	X	-338	-385
7	TE	-163	-385
8	OSH	12	-385
9	LH/ON	187	-385
10	VSS	362	-350

\* CHIP SIZE ~ 1.01 x 1.05 mm<sup>2</sup>

\* IC substrate should be connected to VSS in PCB (PCB 上 IC 必須接 VSS)  
( 以上電路及規格僅供參考,本公司得逕行修正 )