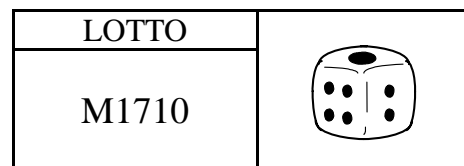




L1→L6

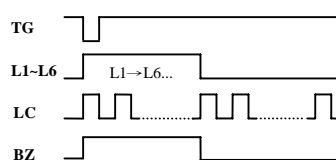
BEEP LOTTO IC

樂透 IC



**FEATURES 功能敘述**

- LC constantly blinking.



P/N	Rosc
M1710-1	Ext.R
M1710-2	Int.R

**APPLICATION 產品應用**

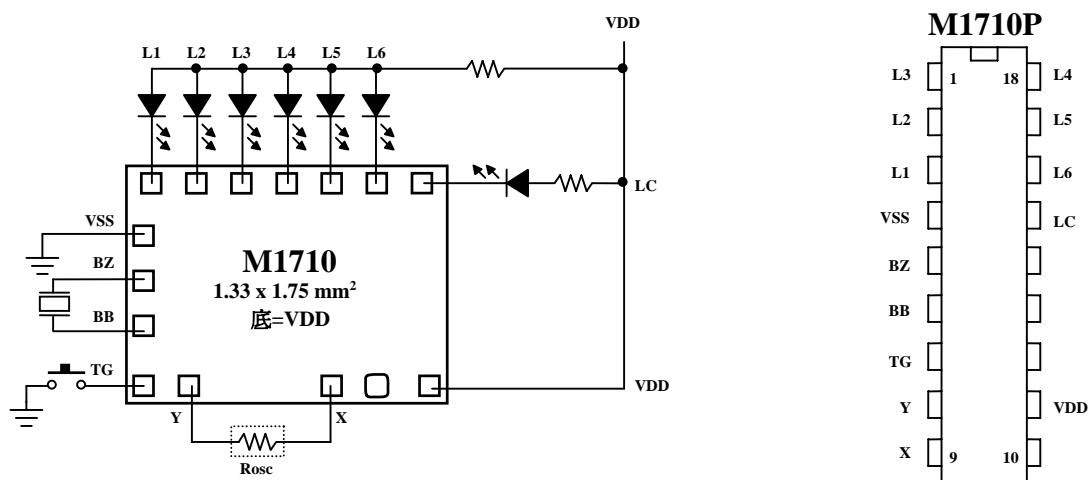
- Lotto game, Toys etc..

**ELECTRICAL CHARACTERISTICS 電氣規格**

( @V<sub>DD</sub>=3V unless otherwise specified )

Characteristics	Sym.	Min.	Typ.	Max.	Unit	REMARKS
工作電壓 Operating Voltage	V <sub>DD</sub>	—	3	3.5	V	
工作電流 Operating Current	I <sub>OP</sub>	—	0.1	0.5	mA	No load
靜態電流 Quiescent Current	I <sub>SB</sub>	—	1	5	μA	
推動電流 Driving Current	I <sub>OL</sub>	6	—	—	mA	@ V <sub>DS</sub> =1.2V
振盪頻率 Oscillator Frequency	F <sub>OSC</sub>	—	128	—	KHz	±30%, Rosc=180KΩ
工作溫度 Operating Temperature	Temp.	0	25	60	°C	

**APPLICATION DIAGRAM 參考電路圖**



\*All specs and applications shown above subject to change without prior notice.

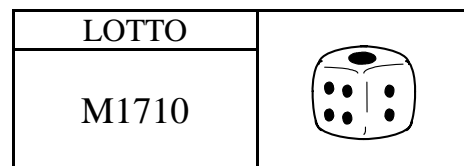
( 以上電路及規格僅供參考,本公司得逕行修正 )



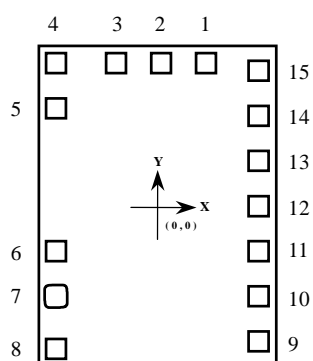
L1→L6

BEEP LOTTO IC

樂透 IC



### PAD ASSIGNMENT & POSITION



UNIT : um

No.	NAME	X	Y
1	VSS	243	674
2	BZ	33	674
3	BB	-177	674
4	TG	-509	674
5	Y	-509	464
6	X	-509	-227
7	TEST	-509	-437
8	VDD	-509	-670
9	LC	510	-628
10	L6	510	-418
11	L5	510	-208
12	L4	510	2
13	L3	510	212
14	L2	510	422
15	L1	510	632

\* CHIP SIZE ~ 1.33 x 1.75 mm<sup>2</sup>

\* IC substrate should be connected to VDD in PCB (PCB 上 IC 必須接 VDD)