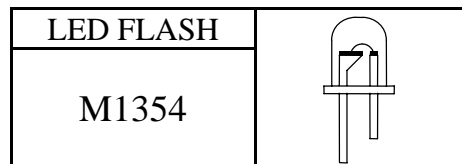


4 FUNCTIONS
SYNC RGB LED IC (Source)

按鍵 4 功能
同步三色燈 LED IC



FEATURES 功能敘述

- Minimum external component (without limit current resister).
- TG : function selection pin & synchronous pin , Push switch ≥ 2 sec power off.
- Auto-shut off LED output once time-out ; default 12 hours LED OFF.
- LED : Source output (PN Junction LED).
- Easy assemble on LED frame.

MODE	FUNCTIONS
1	1/2 Phase
2	七彩漸明漸暗
3	七彩變化
4	多彩變化

APPLICATION 產品應用

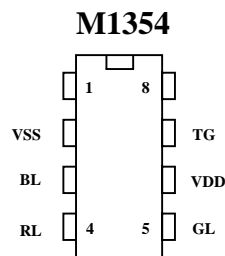
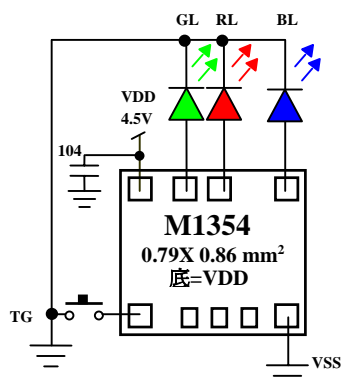
- Blinking LED, Function indicator, R.G.B Mix etc..

ELECTRICAL CHARACTERISTICS 電氣規格

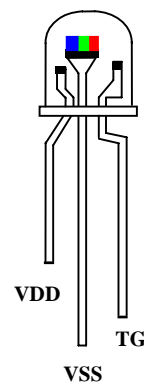
(@ $V_{DD}=4.5V$ unless otherwise specified)

Characteristics	Sym.	Min.	Typ.	Max.	Unit	REMARKS
工作電壓 Operating Voltage	V_{DD}	—	4.5	5.5	V	
工作電流 Operating Current	I_{OP}	—	0.1	0.5	mA	No load
推動電流 Driving Current	I_{OL}	20	—	—	mA	@ $V_f = 1.9V, RL$
		20	—	—	mA	@ $V_f = 3.5V, GL, BL$
振盪頻率 Oscillator Frequency	F_{OSC}	—	100	—	KHz	$\pm 30\%$ TOL.
工作溫度 Operating Temperature	Temp.	0	25	60	$^{\circ}C$	

APPLICATION DIAGRAM 參考電路圖

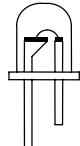


M1354-L3



*All specs and applications shown above subject to change without prior notice.

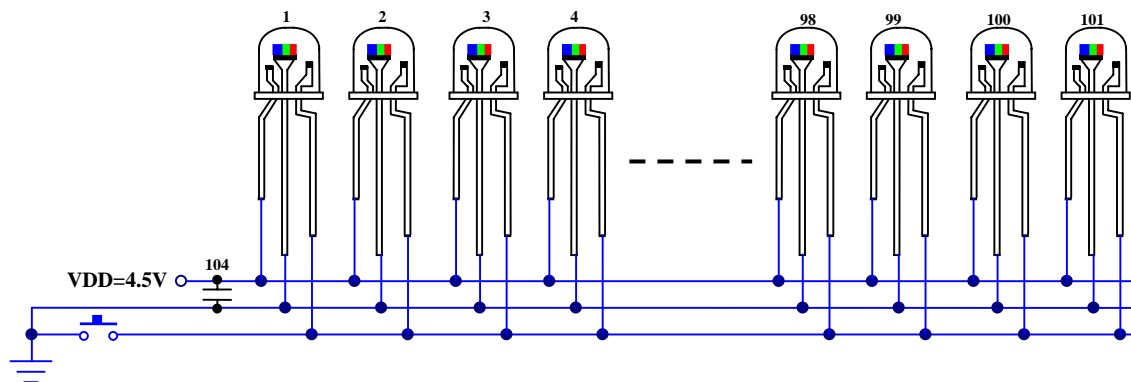
(以上電路及規格僅供參考,本公司得逕行修正)

LED FLASH	
M1354	

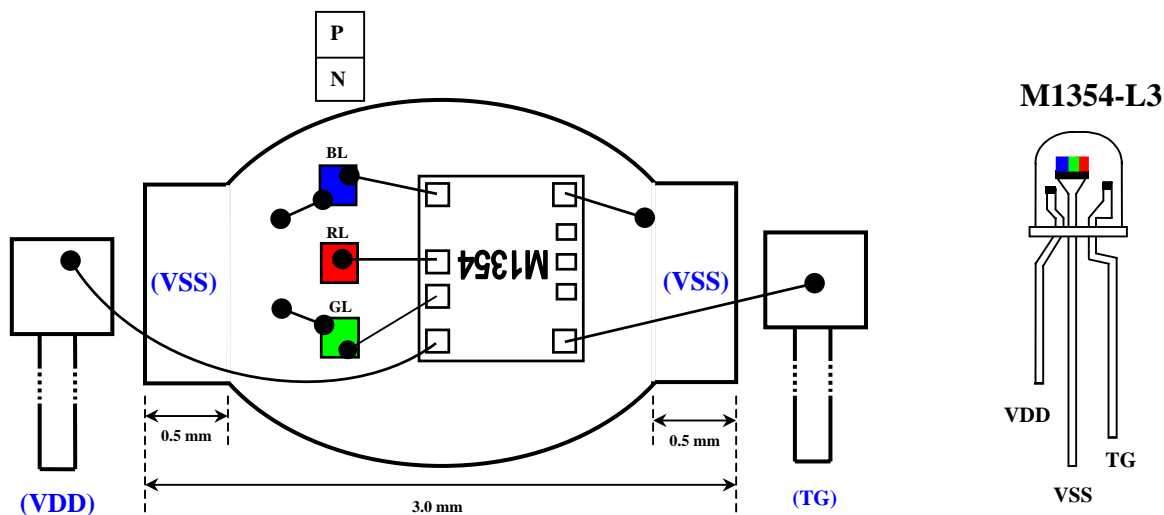
4 FUNCTIONS
SYNC RGB LED IC (Source)

按 鍵 4 功 能
同 步 三 色 燈 LED IC

APPLICATION CIRCUIT FOR SYNCHRONOUS LED STRING

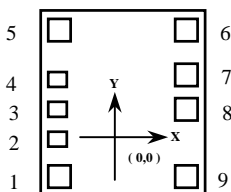


3 PIN LED LAMP BONDING DIAGRAM



Note: IC substrate should be isolation on lead frame

PAD ASSIGNMENT & POSITION



UNIT : um

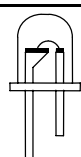
No.	NAME	X	Y
1	VSS	-280.00	-316.40
2	OSC1	-290.00	-150.90
3	T7SEC	-290.00	-20.90
4	T1	-290.00	109.10
5	TG	-280.00	316.40
6	VDD	279.80	316.40
7	GL	279.80	107.10
8	RL	279.80	-42.90
9	BL	279.80	-316.40

* CHIP SIZE ~ 0.79 X 0.86 mm²

* IC substrate should be connected to VDD in PCB (PCB 上 IC 必須接 VDD)

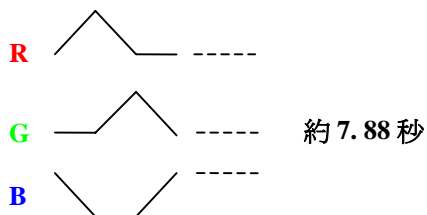
4 FUNCTIONS
 SYNC RGB LED IC (Source)

按鍵 4 功能
 同步三色燈 LED IC

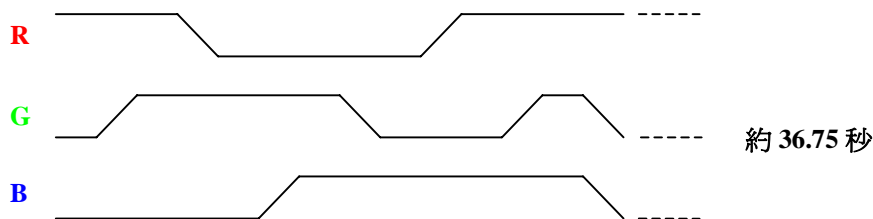
LED FLASH	
M1354	

PATTERN (變化示意圖)

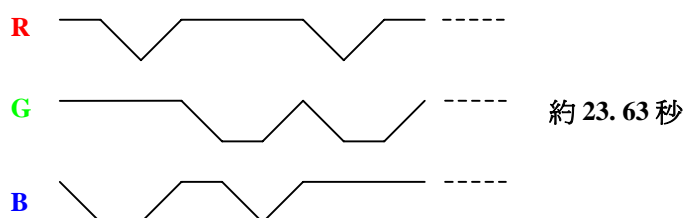
*** SECTION 1 : 1/2 PHASE**



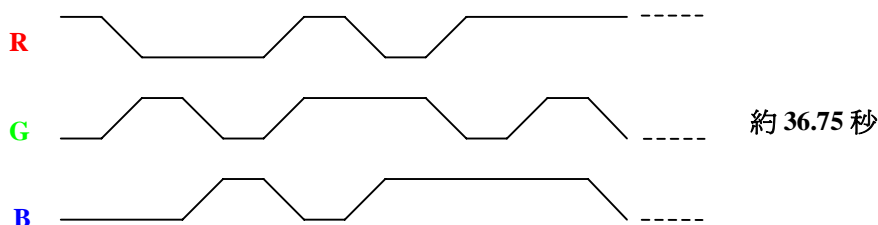
*** SECTION 2 : 七彩主色變化**



*** SECTION 3 : 七彩變化**



*** SECTION 4 : 七彩交錯漸明漸暗**



*All specs and applications shown above subject to change without prior notice.
 (以上電路及規格僅供參考,本公司得逕行修正)