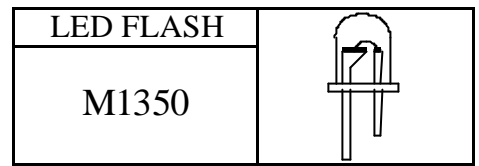




SYNC  
RGB LED IC

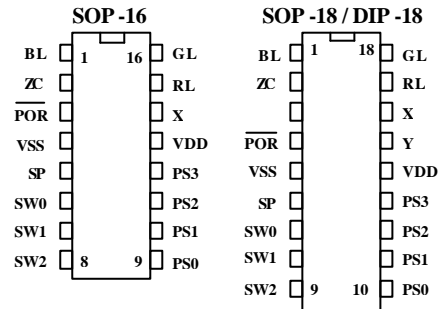
同步  
三色燈 LED IC



FEATURES 功能敘述

- SW0 ~ SW2 : 8 start address (8 燈起始色選擇).
- PS0 ~ PS3 : 4 options control independent pattern (4 種變化選擇).
- SP : Speed select (速度選擇).
- SP=OPEN : 快速.
- SP=VSS : 慢速.
- Power-on while automatic synchronous an LEDs.
- Can be cascaded in daisy chain fashion in wave of the different color.

P/N	起始位址	FUNCTION
M1350A	8 種	同步同色跳閃+同步同色順序跳閃+ 同步同色反向跳閃+七彩漸明漸暗
M1350B	8 種	同步同色跳閃+同步 8 色順序跳閃 +同步 8 色反向跳閃+七彩漸明漸暗(飄)



APPLICATION 產品應用

LED color mixer lamp etc..

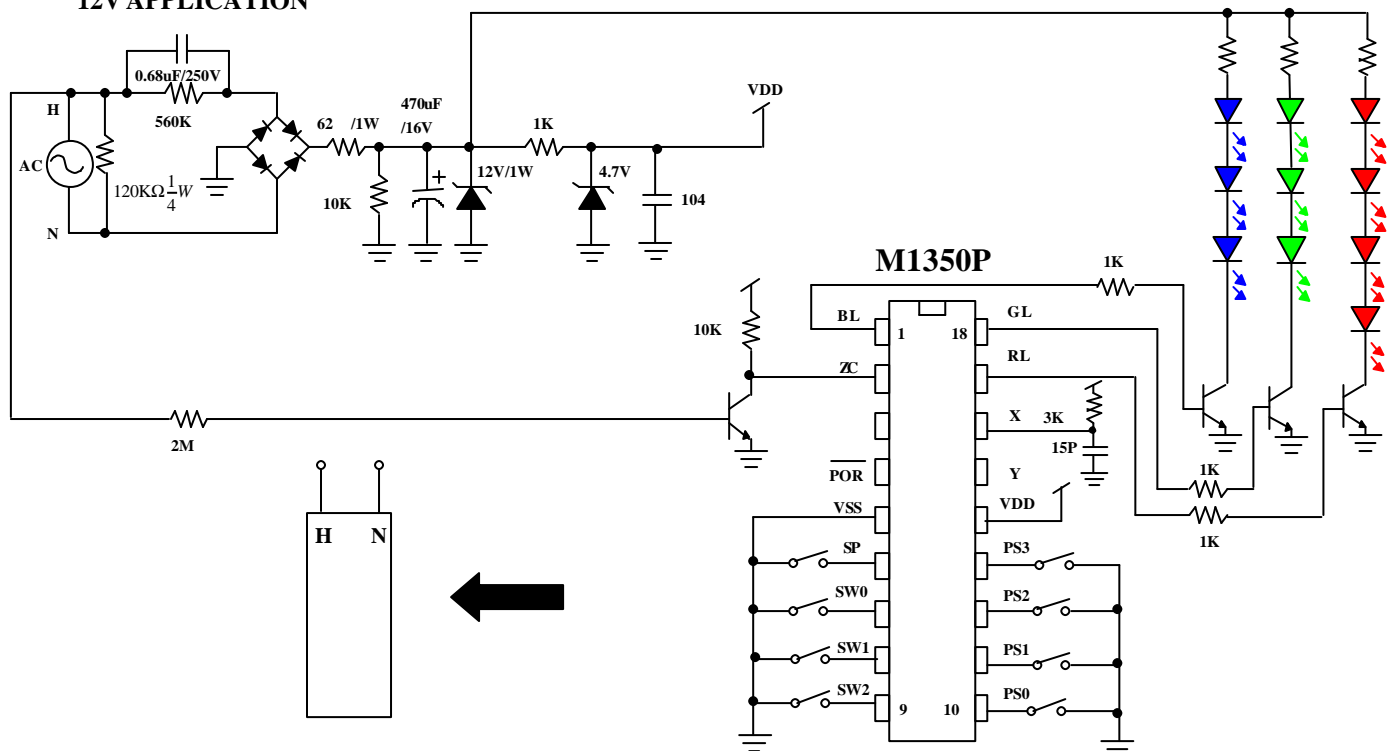
ELECTRICAL CHARACTERISTICS 電氣規格

( @ V<sub>DD</sub>=4.5V unless otherwise specified )

Characteristics	Sym.	Min.	Typ.	Max.	Unit	REMARKS
工作電壓 Operating Voltage	V <sub>DD</sub>	2.4	4.5	6	V	
工作電流 Operating Current	I <sub>OP</sub>		0.5		mA	No load
推動電流 Driving Sink Current	I <sub>OL</sub>	15			mA	@ V <sub>DS</sub> = 1.2 V
推動電流 Driving Source Current	I <sub>Oh</sub>	20			mA	@ V <sub>SD</sub> = 1.2 V
振盪頻率 Oscillator Frequency	F <sub>LED</sub>		6.0		MHz	±30% TOL.
工作溫度 Operating Temperature	Temp.	0	25	70		

APPLICATION DIAGRAM 參考電路圖

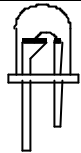
— 12V APPLICATION



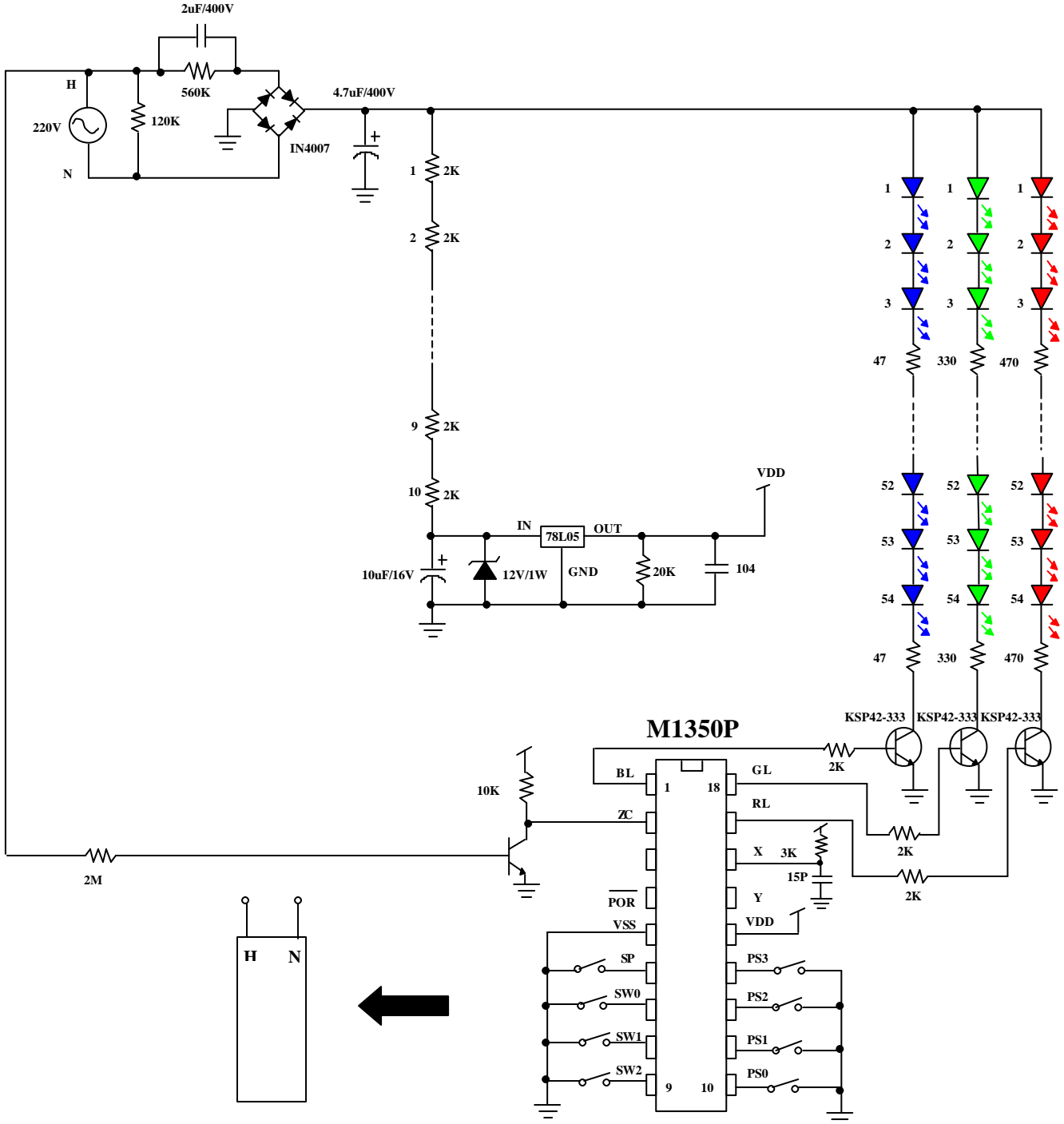


SYNC  
RGB LED IC

同步  
三色燈 LED IC

LED FLASH	
M1350	

二 162 LEDs APPLICATION

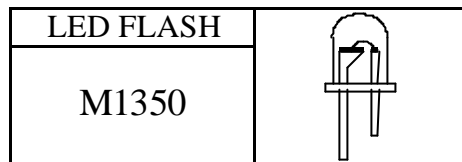


\*All specs and applications shown above subject to change without prior notice.  
( 以上電路及規格僅供參考,本公司得逕行修正 )



SYNC  
RGB LED IC

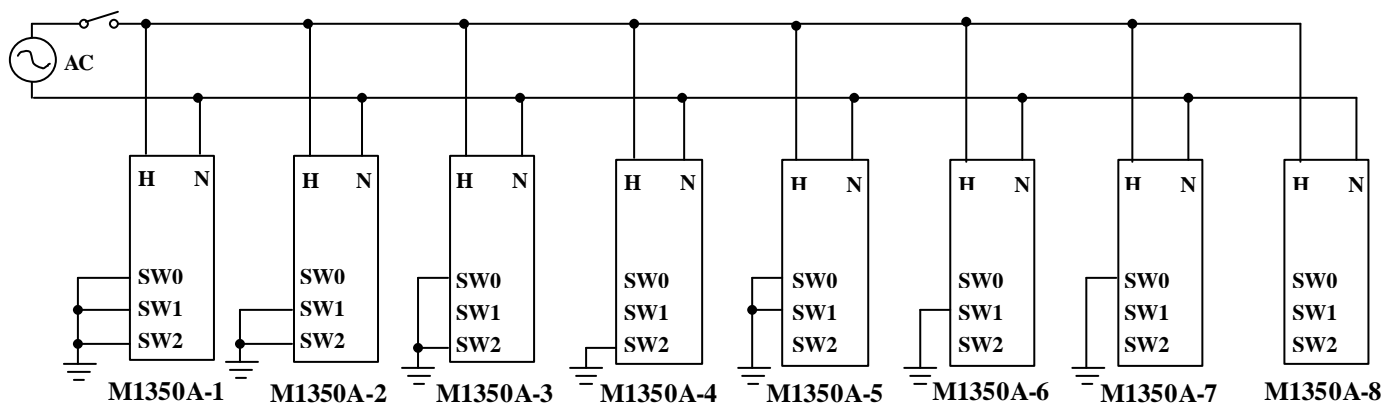
同步  
三色燈 LED IC



\* M1350A : 同步同色跳閃+同步同色順序跳閃+同步同色反向跳閃+七彩漸明漸暗

P/N	MODE	SW2	SW1	SW0
M1350A-1	1	VSS	VSS	VSS
M1350A-2	2	VSS	VSS	X
M1350A-3	3	VSS	X	VSS
M1350A-4	4	VSS	X	X
M1350A-5	5	X	VSS	VSS
M1350A-6	6	X	VSS	X
M1350A-7	7	X	X	VSS
M1350A-8	8	X	X	X

PS0	PS1	PS2	PS3	PATTERN
X	VSS	VSS	VSS	1
X	X	VSS	VSS	1 2 Repeat
X	X	X	VSS	1 2 3 Repeat
X	X	X	X	1 2 3 4 Repeat
VSS	X	VSS	VSS	2
VSS	X	X	VSS	2 3 Repeat
VSS	VSS	X	VSS	3
VSS	VSS	VSS	X	4



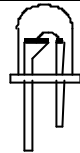
**PATTERN 1 : 同步同色跳閃** ( 快速 : 4 SEC 慢速 : 8 SEC at AC 60Hz )

1	●	●	●	●	●	●	●	○
2	●	●	●	●	●	●	●	○
3	●	●	●	●	●	●	●	○
4	●	●	●	●	●	●	●	○
5	●	●	●	●	●	●	●	○
6	●	●	●	●	●	●	●	○
7	●	●	●	●	●	●	●	○
8	●	●	●	●	●	●	●	○



SYNC  
RGB LED IC

同步  
三色燈 LED IC

LED FLASH	
M1350	

**PATTERN 2 : 同步同色順序跳閃** ( 快速 : 4 SEC 慢速 : 8 SEC at AC 60Hz )

1	●	●	●	●	●	●	●	○
2		●	●	●	●	●	●	○
3			●	●	●	●	●	○
4				●	●	●	●	○
5					●	●	●	○
6						●	●	○
7							●	○
8								○

**PATTERN 3 : 同步同色反向跳閃** ( 快速 : 4 SEC 慢速 : 8 SEC at AC 60Hz )

1								●
2							●	●
3						●	●	●
4				●	●	●	●	●
5				●	●	●	●	●
6			●	●	●	●	●	●
7		●	●	●	●	●	●	●
8	○	●	●	●	●	●	●	●

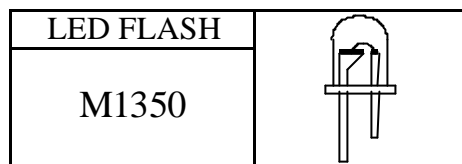
**PATTERN 4 : 七彩漸明漸暗** ( 快速 : 7.5 SEC 慢速 : 15 SEC at AC 60Hz )

1	●	●	●	●	●	●	○
2	●	●	●	●	●	●	○
3	●	●	●	●	●	●	○
4	●	●	●	●	●	●	○
5	●	●	●	●	●	●	○
6	●	●	●	●	●	●	○
7	●	●	●	●	●	●	○
8	●	●	●	●	●	●	○



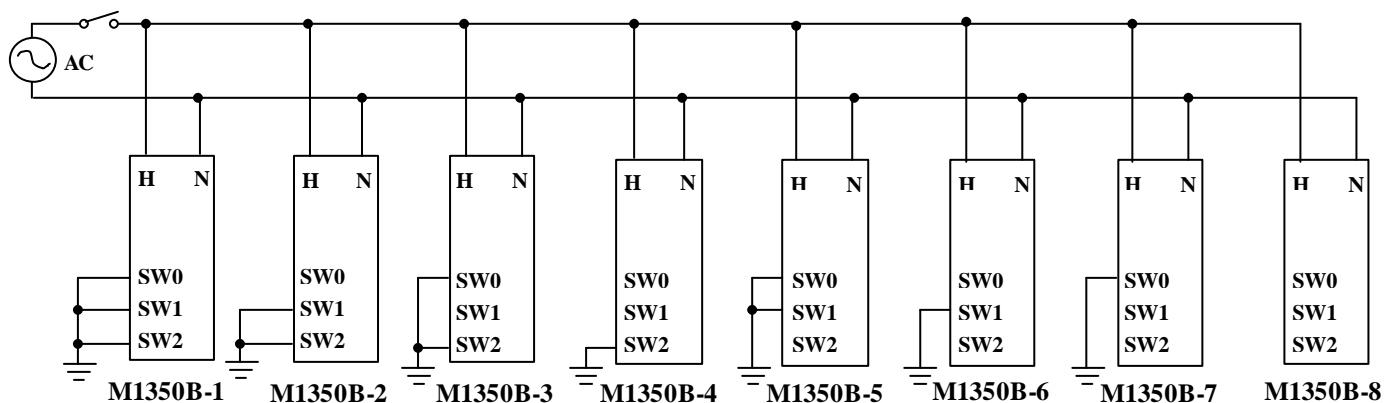
SYNC  
RGB LED IC

同步  
三色燈 LED IC



\* M1350B : 同步同色跳閃+同步 8 色順序跳閃+同步 8 色反向跳閃+七彩漸明漸暗(飄)

P/N	MODE	SW2	SW1	SW0	PS0	PS1	PS2	PS3	PATTERN
M1350B-1	1	VSS	VSS	VSS	X	VSS	VSS	VSS	1
M1350B-2	2	VSS	VSS	X	X	X	VSS	VSS	1 2 Repeat
M1350B-3	3	VSS	X	VSS	X	X	X	VSS	1 2 3 Repeat
M1350B-4	4	VSS	X	X	X	X	X	X	1 2 3 4 Repeat
M1350B-5	5	X	VSS	VSS	VSS	X	VSS	VSS	2
M1350B-6	6	X	VSS	X	VSS	X	X	VSS	2 3 Repeat
M1350B-7	7	X	X	VSS	VSS	VSS	X	VSS	3
M1350B-8	8	X	X	X	VSS	VSS	VSS	X	4



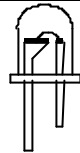
PATTERN 1 : 同步同色跳閃 (快速 : 4 SEC 慢速 : 8 SEC at AC 60Hz)

1	●	●	●	●	●	●	●	○
2	●	●	●	●	●	●	●	○
3	●	●	●	●	●	●	●	○
4	●	●	●	●	●	●	●	○
5	●	●	●	●	●	●	●	○
6	●	●	●	●	●	●	●	○
7	●	●	●	●	●	●	●	○
8	●	●	●	●	●	●	●	○



SYNC  
RGB LED IC

同步  
三色燈 LED IC

LED FLASH	
M1350	

**PATTERN 2 : 同步 8 色順序跳閃** ( 快速 : 4 SEC 慢速 : 8 SEC at AC 60Hz )

1	●	●	●	●	●	●	●	●
2		●	●	●	●	●	●	●
3			●	●	●	●	●	●
4				●	●	●	●	●
5					●	●	●	●
6						●	●	●
7							●	●
8								●

**PATTERN 3 : 同步 8 色反向跳閃** ( 快速 : 4 SEC 慢速 : 8 SEC at AC 60Hz )

1								●
2							●	●
3						●	●	●
4					●	●	●	●
5				●	●	●	●	●
6			●	●	●	●	●	●
7		●	●	●	●	●	●	●
8	●	●	●	●	●	●	●	●

**PATTERN 4 : 七彩漸明漸暗(飄)** ( 快速 : 7.5 SEC 慢速 : 15 SEC at AC 60Hz )

1	●	●	●	●	●	●	●
2	○	●	●	●	●	●	●
3	●	○	●	●	●	●	●
4	●	●	○	●	●	●	●
5	●	●	●	○	●	●	●
6	●	●	●	●	○	●	●
7	●	●	●	●	●	○	●
8	●	●	●	●	●	●	○