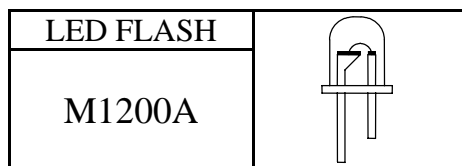




ON/OFF
ONE SHOT

LED 閃爍 IC



FEATURES 功能敘述

- OSH : ONE-SHOT.
- ON/OFF : ON/OFF toggle.
- FLASH RATE : 1~16 Hz mask optional.
- Duty : 1/2 ~ 1/64 mask optional.
- T : 1 ~ 32 pulses mask optional.

P/N	RATE	Duty	PULSE	CONTROL
M1200A-1	4 Hz	1/16	12	OSH, ON/OFF
M1200A-2	4 Hz	1/8	12	:
M1200A-3	4 Hz	1/8	1	:
M1200A-4	2 Hz	1/8	8	:
M1200A-5	4 Hz	1/8	12	VDD
M1200A-6	2.2 Hz	1/8	31	OSH
M1200A-7	2.2 Hz Z	1/16	31	OSH

※ Z : Flash 4 times.

APPLICATION 產品應用

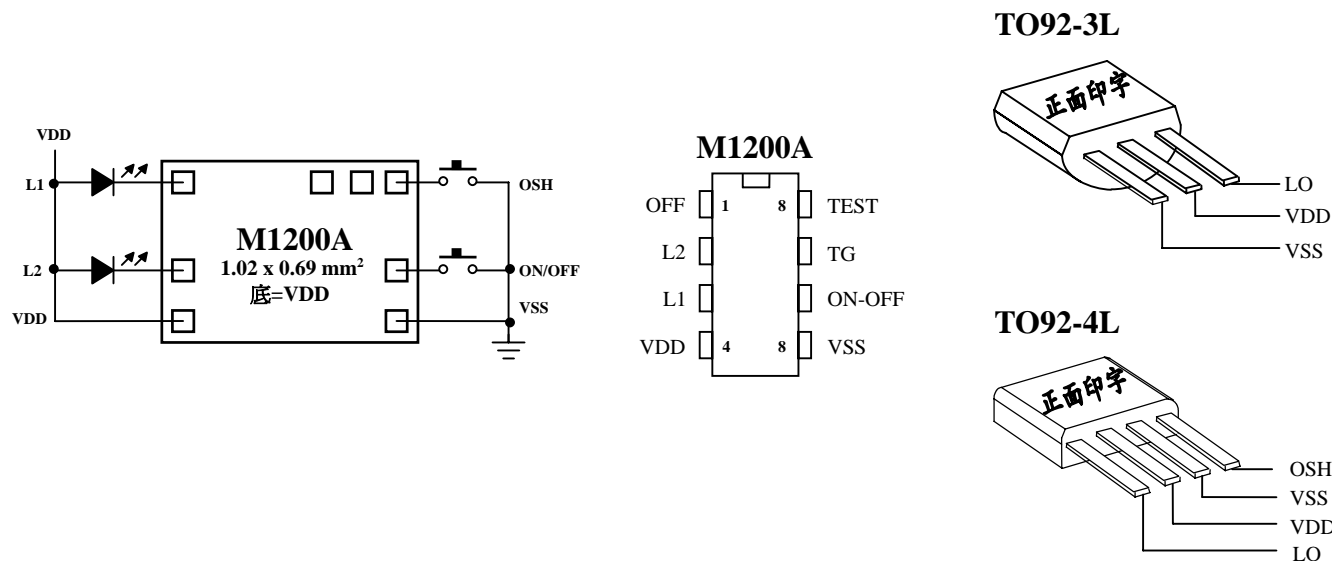
- Disco broaches, Blinking LED, Shoe IC etc..

ELECTRICAL CHARACTERISTICS 電氣規格

(@V_{DD}=3V unless otherwise specified)

Characteristics	Sym.	Min.	Typ.	Max.	Unit	REMARKS
工作電壓 Operating Voltage	V _{DD}	—	3	3.5	V	
工作電流 Operating Current	I _{OP}	—	0.1	0.5	mA	No load
靜態電流 Quiescent Current	I _{SB}	—	1	5	μA	
推動電流 Driving Current	I _{OL}	20	—	—	mA	@V _{DS} =1.2V
振盪頻率 Oscillator Frequency	F _{OSC}	—	144	—	KHz	±30% TOL.
工作溫度 Operating Temperature	Temp.	0	25	60	°C	

APPLICATION DIAGRAM 參考電路圖

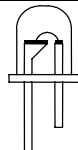


*All specs and applications shown above subject to change without prior notice.
(以上電路及規格僅供參考,本公司得逕行修正)

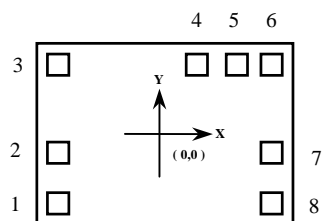


ON/OFF
ONE SHOT

LED 閃爍 IC

LED FLASH	
M1200A	

PAD ASSIGNMENT & POSITION



UNIT : um

No.	NAME	X	Y
1	VDD	-381	-220
2	L1	-381	-65
3	L2	-381	217
4	OFF	94	217
5	TEST	260	217
6	TG	382	217
7	ON_OFF	382	-67
8	VSS	382	-220

* CHIP SIZE ~ 1.02 x 0.69 mm²

* IC substrate should be connected to VDD in PCB (PCB 上 IC 必須接 VDD)