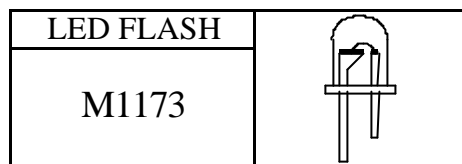




64 PATTERN  
VISION PERSISTENCE

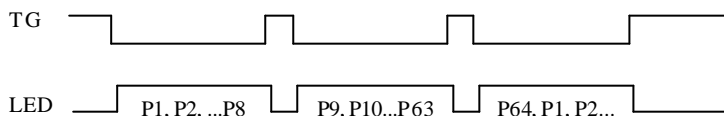
閃爍圖案 IC



FEATURES 功能敘述

- 1 key 5 LED 64 patterns.
- Built-in oscillator.

\*LH



APPLICATION 產品應用

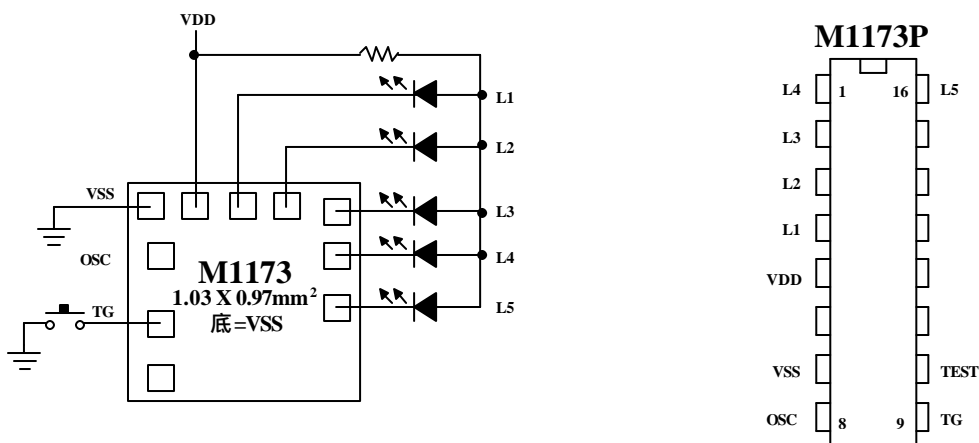
Blinking LED, Functions indicator, Xmas decoration.

ELECTRICAL CHARACTERISTICS 電氣規格

( @  $V_{DD}=3V$  unless otherwise specified )

Characteristics	Sym.	Min.	Typ.	Max.	Unit	REMARKS
工作電壓 Operating Voltage	$V_{DD}$	2	3	5	V	
工作電流 Operating Current	$I_{OP}$	96	120	144	$\mu A$	
靜態電流 Quiescent Current	$I_{SB}$		1	5	$\mu A$	
推動電流 Driving Current	$I_{OL}$	4			mA	@ $V_{DS}=1.2V$
振盪頻率 Oscillator Frequency	$F_{osc}$		176		KHz	$\pm 30\%$ TOL.

APPLICATION DIAGRAM 參考電路圖



\*All specs and applications shown above subject to change without prior notice.  
( 以上電路及規格僅供參考,本公司得逕行修正 )

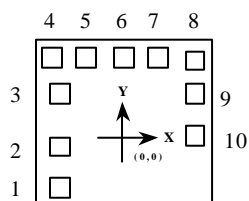


64 PATTERN  
VISION PERSISTENCE

閃爍圖案 IC

LED FLASH	
M1173	

**PAD ASSIGNMENT & POSITION**



UNIT : um

No.	NAME	X	Y
1	TEST	-334.5	-344.5
2	TG	-334.5	-137.4
3	OSCI	-334.5	118
4	VSS	-369.1	293
5	VDD	-199.1	293
6	L1	-22.3	293
7	L2	143.2	293
8	L3	324.5	273.7
9	L4	324.5	108.2
10	L5	324.5	-86.4

\* CHIP SIZE ~ 1.03 x 0.97 mm<sup>2</sup>

\* IC substrate should be connected to VSS in PCB (PCB 上 IC 必須接 VSS)