



WITH 4 PATTERN DISPLAY  
16 LED FLASH

16 LED 閃燈 IC

LED FLASH	
M1160	

### FEATURES 功能敘述

TRIG : TG1 clockwise.

TG2 counterclockwise.

SEQ : Display 1 pattern sequentially.

DEMO : Display 4 patterns sequentially.

LH : level-hold. (Default OSH)

PATTERN	
1	GO!GO!
2	
3	
4	我愛你

### APPLICATION 產品應用

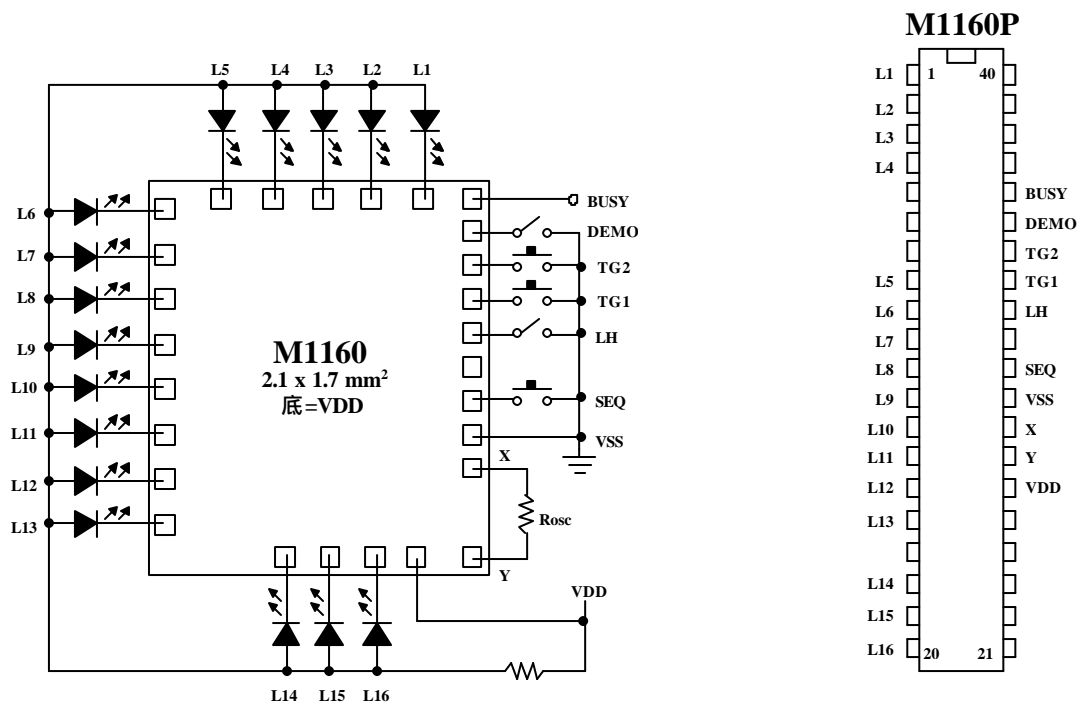
Arcade game system, Toys.

### ELECTRICAL CHARACTERISTICS 電氣規格

( @  $V_{DD}=3V$  unless otherwise specified )

Characteristics	Sym.	Min.	Typ.	Max.	Unit	REMARKS
工作電壓 Operating Voltage	$V_{DD}$		3	3.5	V	
工作電流 Operating Current	$I_{OP}$		0.1	0.5	mA	No load
靜態電流 Quiescent Current	$I_{SB}$		1	5	$\mu A$	
推動電流 Driving Current	$I_{OL}$	4			mA	@ $V_{DS}=1.2V$
振盪頻率 Oscillator Frequency	$F_{OSC}$		32		KHz	$\pm 30\%$ TOL., $R_{osc}=750K$
工作溫度 Operating Temperature	Temp.	0	25	60		

### APPLICATION DIAGRAM 參考電路圖



\*All specs and applications shown above subject to change without prior notice.

( 以上電路及規格僅供參考,本公司得逕行修正 )