




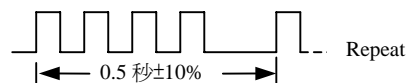
12V  
BLINKING LED

12V LED 閃爍 IC

LED FLASH	
M1145	

### FEATURES 功能敘述

- 每四個閃爍週期停閃一個週期。4 閃 1 停的時間為~0.5 秒±10%。
- M1145P : Source Type.
- M1145N : Sink Type.



### APPLICATION 產品應用

- Blinking LED, Function indicator, Xmas decoration etc..

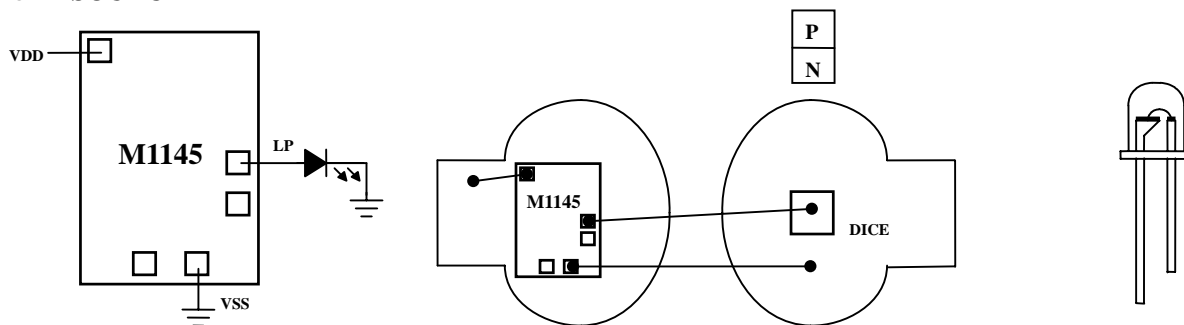
### ELECTRICAL CHARACTERISTICS 電氣規格

( @V<sub>DD</sub>=12V unless otherwise specified )

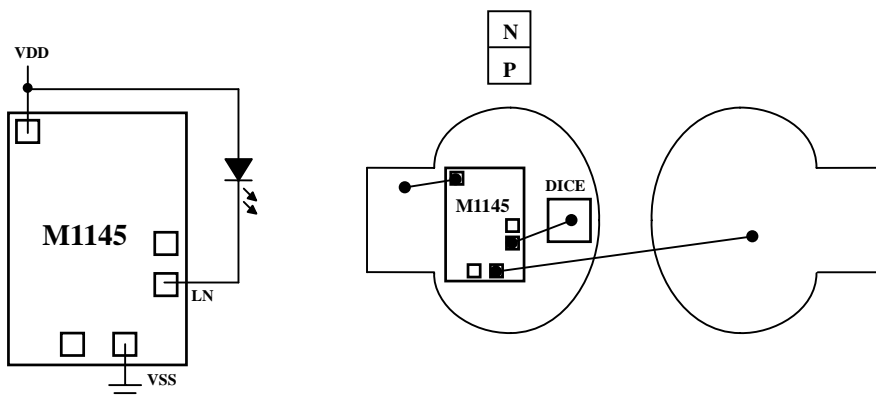
Characteristics	Sym.	Min.	Typ.	Max.	Unit	REMARKS
工作電壓 Operating Voltage	V <sub>DD</sub>	3	12	15	V	
工作電流 Operating Current	I <sub>OP</sub>	—	0.1	0.5	mA	No load
靜態電流 Quiescent Current	I <sub>SB</sub>	—	—	—	μA	
推動電流 Driving Current	I <sub>OL</sub>	20	—	—	mA	
振盪頻率 Oscillator Frequency	F <sub>OSC</sub>	—	81	—	KHz	±10% TOL.
工作溫度 Operating Temperature	Temp.	0	25	60	°C	

### APPLICATION DIAGRAM 參考電路圖

#### (1) M1145P : SOURCE TYPE



#### (2) M1145N : SINK TYPE

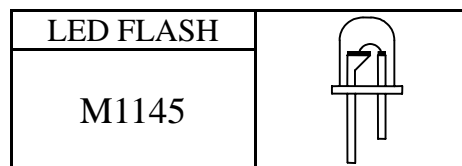


\* All specs and applications shown above subject to change without prior notice.  
( 以上電路及規格僅供參考,本公司得逕行修正 )

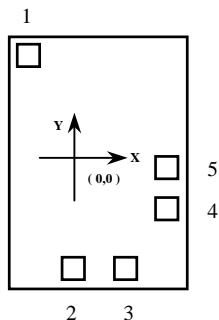


12V  
BLINKING LED

12V LED 閃爍 IC



**PAD ASSIGNMENT & POSITION**



UNIT : um

No.	NAME	X	Y
1	VDD	-288.00	416.00
2	TEST	-100.50	-436.50
3	VSS	-117.50	-430.00
4	SINK/LN	-281.50	-181.50
5	LED/LP	281.50	-11.50

\* IC CHIP ~ 0.80 X 1.09 mm<sup>2</sup>

\* IC substrate should be connected to VDD in PCB (PCB 上 IC 必須接 VDD)