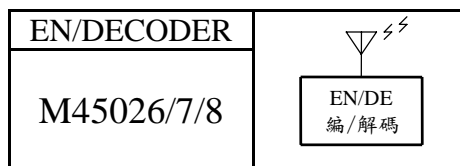




145026 COMPATIBLE  
3 STATE 19,683 CODES

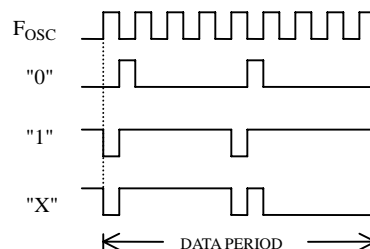
3 態 19,683 碼



### FEATURES 功能敘述

- 3<sup>9</sup> difference codes.
- Minimum 2 transmission words.
- Totally pin compatible with 145026.
- S.O.Package — suffix-S.

### BIT FORMAT



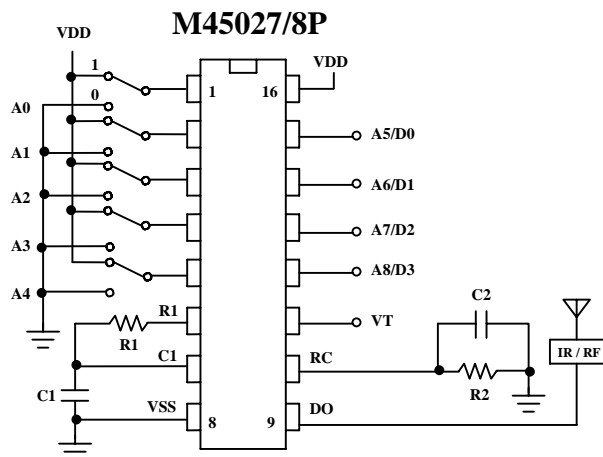
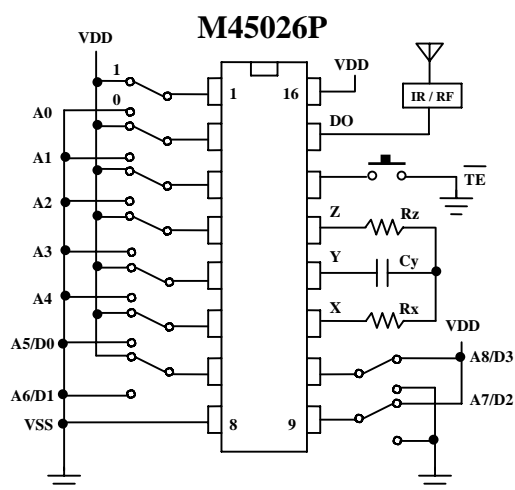
### APPLICATION 產品應用

- Security alarm, Remote control. 防盜系統, 任何遙控裝置.

### ELECTRICAL CHARACTERISTICS 電氣規格

Characteristics	Sym.	Min.	Typ.	Max.	Unit	REMARKS
工作電壓 Operating Voltage	V <sub>DD</sub>	3	—	15	V	
工作電流 Operating Current	I <sub>OP</sub>	—	2	3	mA	No load, Fosc=22 KHz
靜態電流 Quiescent Current	I <sub>SB</sub>	—	0.1	1	μA	Oscillator stop
推動電流 Driving Current	I <sub>OL</sub>	—	2	—	mA	@V <sub>DS</sub> =1.2V
振盪頻率 Oscillator Frequency	F <sub>OSC</sub>	—	22	—	KHz	External±30%
工作溫度 Operating Temperature	Temp.	-20	25	70	°C	

### APPLICATION DIAGRAM 參考電路圖



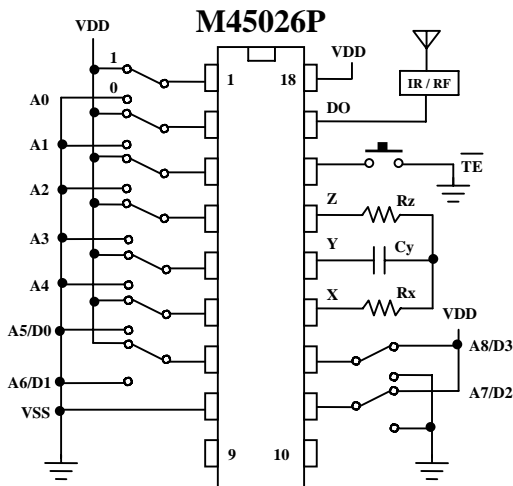
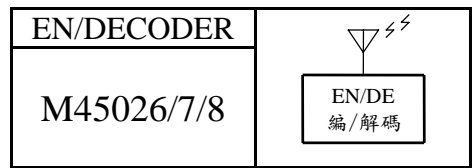
\* @VDD=12V ~ M45026 : R<sub>x</sub>=20KΩ, R<sub>z</sub>=10KΩ, C<sub>y</sub>=2020pF ;  
M45027/8 : R<sub>1</sub>=10KΩ, C<sub>1</sub>=8200pF, R<sub>2</sub>=100KΩ, C<sub>2</sub>=0.015 μF.

\* All specs and applications shown above subject to change without prior notice.  
( 以上電路及規格僅供參考,本公司得逕行修正 )



145026 COMPATIBLE  
3 STATE 19,683 CODES

3 態 19,683 碼



$$F_{OSC} = \frac{1}{2.3 R_Z C_y'}$$

$$R_1 C_1 = 3.95 R_Z C_y$$

$$R_2 C_2 = 77 R_Z C_y$$

$$C_y' = C_y + C_{layout} + 12 \text{ pF}$$

$$100 \text{ pF} \leq C_y \leq 15 \mu\text{F}$$

$$R_Z \geq 10\text{K}\Omega ; R_X \approx 2 R_Z$$

$$R_1 \geq 10\text{K}\Omega$$

$$C_1 \geq 400 \text{ pF}$$

$$R_2 \geq 100\text{K}\Omega$$

$$C_2 \geq 700 \text{ pF}$$

**EXAMPLE R/C VALUES**

(  $C_y' = C_y + 20 \text{ pF}$  )

Fosc	Rz	Cy	Rx	R1	C1	R2	C2
362K	10K	120pF	20K	10K	470pF	100K	910pF
181K	10K	240pF	20K	10K	910pF	100K	1800pF
88.7K	10K	490pF	20K	10K	2000pF	100K	3900pF
42.6K	10K	1020pF	20K	10K	3900pF	100K	7500pF
21.5K	10K	2020pF	20K	10K	8200pF	100K	0.015uF
8.53K	10K	5100pF	20K	10K	0.02uF	200K	0.02uF

\* All specs and applications shown above subject to change without prior notice.  
( 以上電路及規格僅供參考,本公司得逕行修正 )