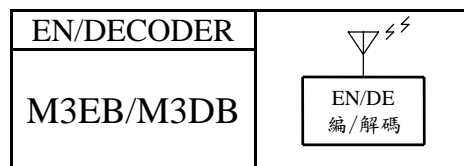


3-STATE 59,049 CODES
30 SECOND POWER OFF
DIRECT DATA TRANSMIT

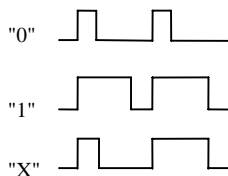
3 態 59,049 碼
30 秒 自 動 斷 電
單 鍵 發 射



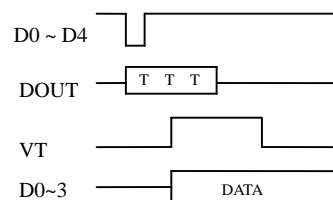
FEATURES 功能敘述

- M3DB : Momentary DATA — suffix-M.
- M3EB :
 - Built-in IR carrier — suffix-I.
 - Data transmit over 30 second auto power off.
 - 8 or 10 tri-state code address pins.
 - M3EB-2 : 10 address , 2 data.
 - M3EB-4 : 8 address , 4 data.
- Single resistor oscillator.
- 2 or 4 direct data transmit (internal pull-low resistor).

BIT FORMAT



PROTOCOL



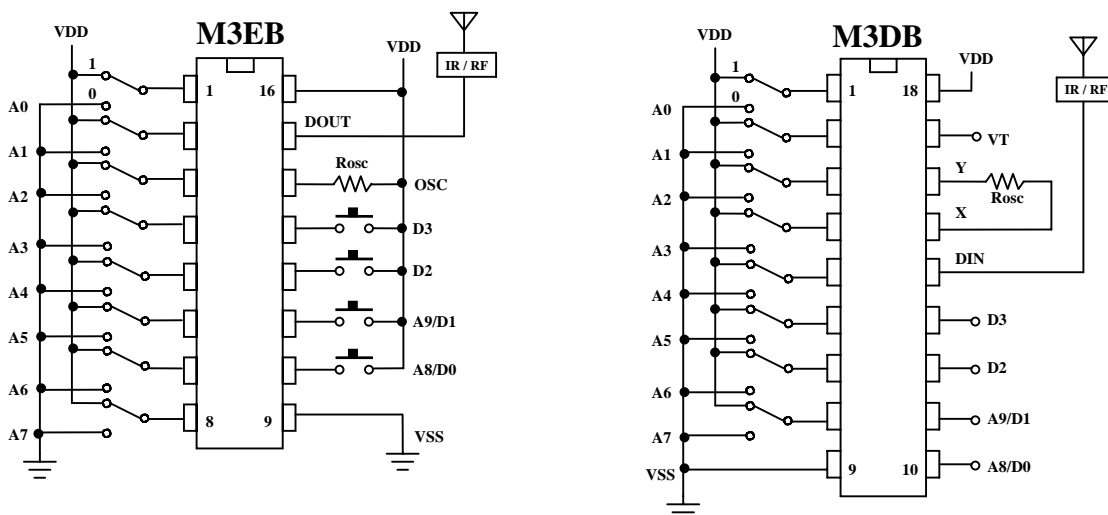
APPLICATION 產品應用

- Security alarm, Remote control. 防盜系統, 任何遙控裝置.

ELECTRICAL CHARACTERISTICS 電氣規格

Characteristics	Sym.	Min.	Typ.	Max.	Unit	REMARKS
工作電壓 Operating Voltage	V_{DD}	2.4	—	12	V	
工作電流 Operating Current	I_{OP}	—	0.3	1	mA	No load
靜態電流 Quiescent Current	I_{SB}	—	1	10	uA	
推動電流 Driving Current	I_{OL}	—	2	—	mA	@ $V_{DS}=1.2V$
振盪頻率 Oscillator Frequency	F_{OSC}	—	152	—	KHz	M3EB : External $\pm 30\%$, $R_{osc}=470K\Omega$
		—	38	—	KHz	M3DB : External $\pm 30\%$, $R_{osc}=1.2M\Omega$
工作溫度 Operating Temperature	Temp.	-20	25	70	$^{\circ}C$	

APPLICATION DIAGRAM 參考電路圖



* All specs and applications shown above subject to change without prior notice.
(以上電路及規格僅供參考,本公司得逕行修正)