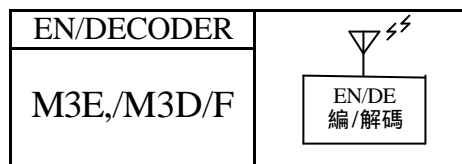




3-STATE 531,441 CODES
BUILT-IN IR CARRIER
DIRECT DATA TRANSMIT

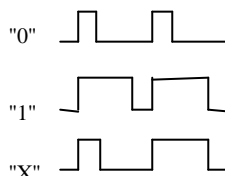
3 態 531,441 碼
內建紅外線發射器
可單鍵發射



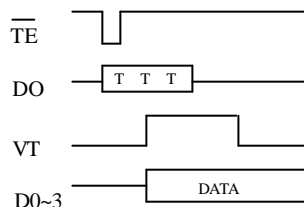
FEATURES 功能敘述

- M3E, : Built-in IR carrier suffix-IR.
- Direct Data Transmit suffix-H : Switch to VDD.
- suffix-L : Switch to VSS.
- M3D : Momentary DATA suffix-M.
- Latch data outputs suffix-L.
- Full address type M3F.
- S.O.Package 20P suffix-S.

BIT FORMAT



PROTOCOL



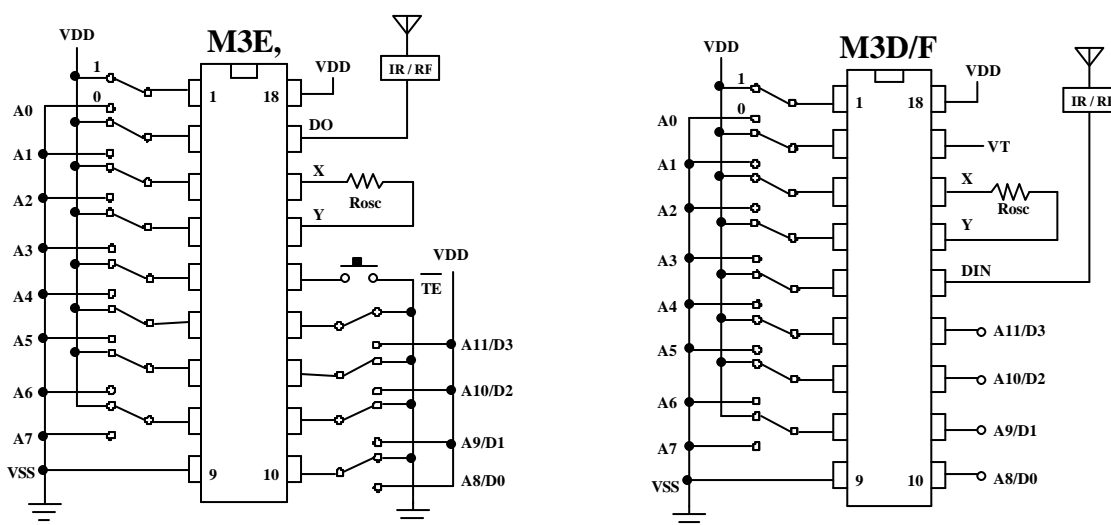
APPLICATION 產品應用

Security alarm, Remote control. 防盜系統, 任何遙控裝置.

ELECTRICAL CHARACTERISTICS 電氣規格

Characteristics	Sym.	Min.	Typ.	Max.	Unit	REMARKS
工作電壓 Operating Voltage	V_{DD}	2.4		12	V	
工作電流 Operating Current	I_{OP}		0.1	1	mA	No load
靜態電流 Quiescent Current	I_{SB}		0.1	0.5	μA	
推動電流 Driving Current	I_{OL}		2		mA	@ $V_{DS}=1.2V$
振盪頻率 Oscillator Frequency	F_{OSC}		76		KHz	External $\pm 30\%$
工作溫度 Operating Temperature	Temp.	-20	25	60		

APPLICATION DIAGRAM 參考電路圖



*Rosc : M3E,=220K ; M3D/F=220K

*All specs and applications shown above subject to change without prior notice.

(以上電路及規格僅供參考,本公司得逕行修正)