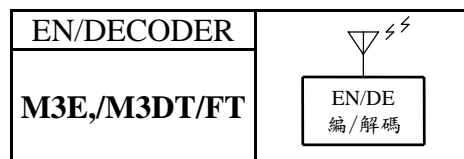




3-STATE 531,441 CODES
BUILT-IN IR CARRIER
DIRECT DATA TRANSMIT

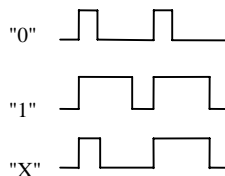
3 態 531,441 碼
內建紅外線發射器
可單鍵發射



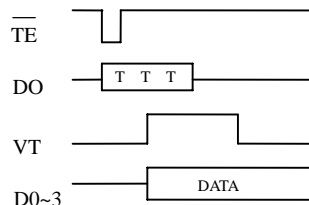
FEATURES 功能敘述

- Address / Data types :
 - M3DT-L : Latch data outputs.
 - M3DT-M : Momentary data outputs
 - M3FT : Full address type
- Direct Data Transmit :
 - M3E,-H : switch to VDD.
 - M3E,-L : switch to VSS.
- S.O.Package 20P — suffix-S.

BIT FORMAT



PROTOCOL



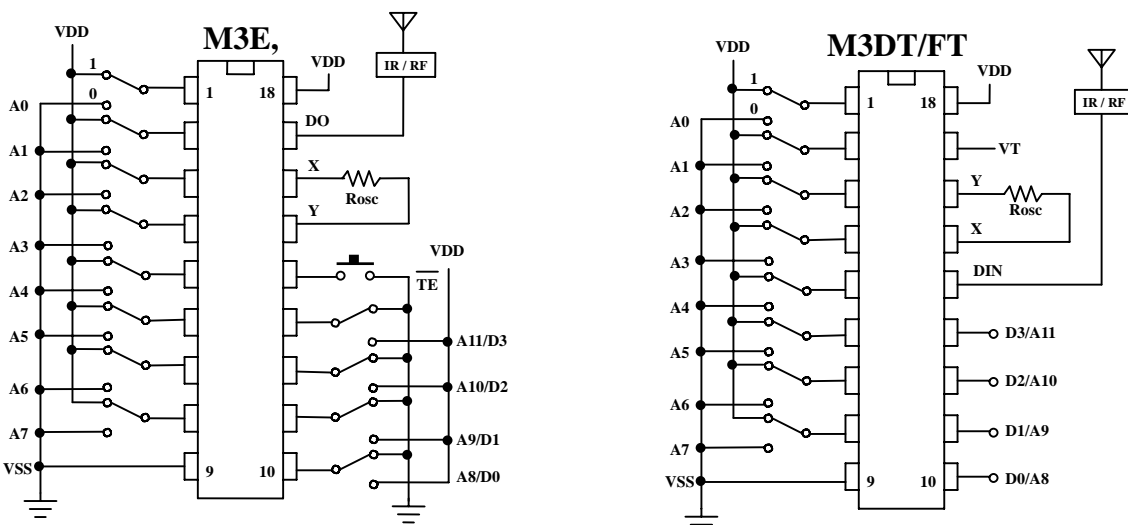
APPLICATION 產品應用

- Security alarm, Remote control. 防盜系統, 任何遙控裝置.

ELECTRICAL CHARACTERISTICS 電氣規格

Characteristics	Sym.	Min.	Typ.	Max.	Unit	REMARKS
工作電壓 Operating Voltage	V _{DD}	—	3	5	V	M3DT
		2.4	—	12	V	M3E,
工作電流 Operating Current	I _{OP}	—	0.3	1	mA	No load
靜態電流 Quiescent Current	I _{SB}	—	1	10	μA	
推動電流 Driving Current	I _{OL}	—	2	—	mA	@V _{DS} =1.2V
振盪頻率 Oscillator Frequency	F _{OSC}	—	38	—	KHz	M3DT : External±30%,Rosc=1.1MΩ
		—	76	—	KHz	M3E, : External±30%,Rosc=360KΩ
工作溫度 Operating Temperature	Temp.	-20	25	70	°C	

APPLICATION DIAGRAM 參考電路圖



*All specs and applications shown above subject to change without prior notice.

(以上電路及規格僅供參考,本公司得逕行修正)