



ELECTROLUMINESCENCE
EL WATCH DRIVER

冷光手錶推動 IC

EL CONTROL	
M5430/A	

FEATURES 功能敘述

- Low stand-by current.
- Open-drain output for CHOP and CK.
- CHOP : With modulation.
- CK : Inversion of CHOP, no modulation.

P/N	Rosc
M5430	Int.
M5430-1	Ext.
M5430A	Int.
M5430A-1	Ext.

APPLICATION 產品應用

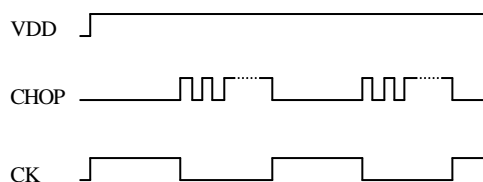
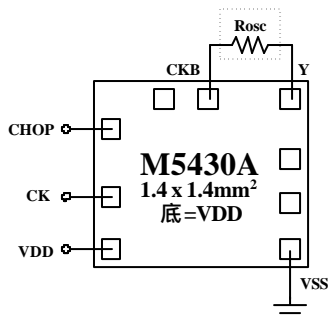
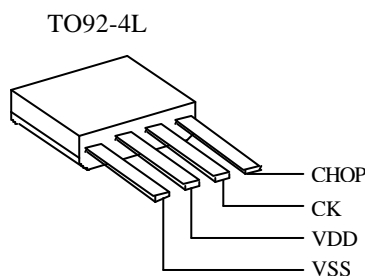
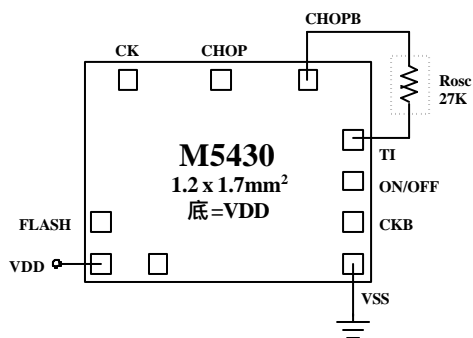
EL WATCH 冷光手錶.

ELECTRICAL CHARACTERISTICS 電氣規格

(@ $V_{DD}=3V$ unless otherwise specified)

Characteristics	Sym.	Min.	Typ.	Max.	Unit	REMARKS
工作電壓 Operating Voltage	V_{DD}		3	3.5	V	
工作電流 Operating Current	I_{DD}		0.1	0.5	mA	No load
推動電流 CHOP, CK Driving Current	I_O	10	16		mA	@ $V_{DS}=0.5V$
推動電流 Driving Current	I_O	200			μA	@ $V_{DS}=0.5V$
	I_{OH}	100			μA	@ $V_{OH}=2.5V$
頻率 CK Frequency	F_{CK}		425		Hz	$\pm 30\%$ TOL., Rosc=K
頻率 CHOP Frequency	F_{CHOP}		26		KHz	$\pm 30\%$ TOL.
工作溫度 Operating Temperature	Temp.	0	25	60		

APPLICATION DIAGRAM 參考電路圖



*All specs and applications shown above subject to change without prior notice.
(以上電路及規格僅供參考,本公司得逕行修正)