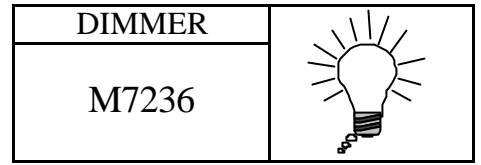




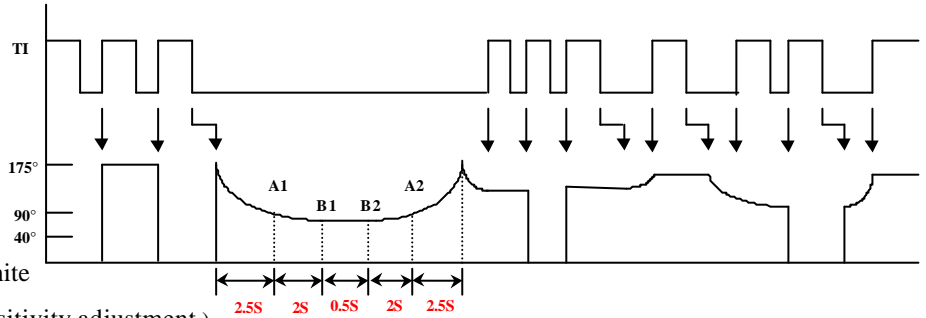
CONTINUOUS, ON/OFF
LIGHT DIMMER

連續, 開/關
調光器



FEATURES 功能敘述

- Output phase angle : $40^{\circ} \sim 175^{\circ}$
- Output pulse width : $33 \mu s$.
- Operated on 50/60 Hz line frequency.
- Sensor duration : ON/OFF 50~350 ms
- Dimming 350 ms ~ infinite



Led Option : M7236-1 (Led for touch sensitivity adjustment)

M7236-2 (Led for night indication)

APPLICATION 產品應用

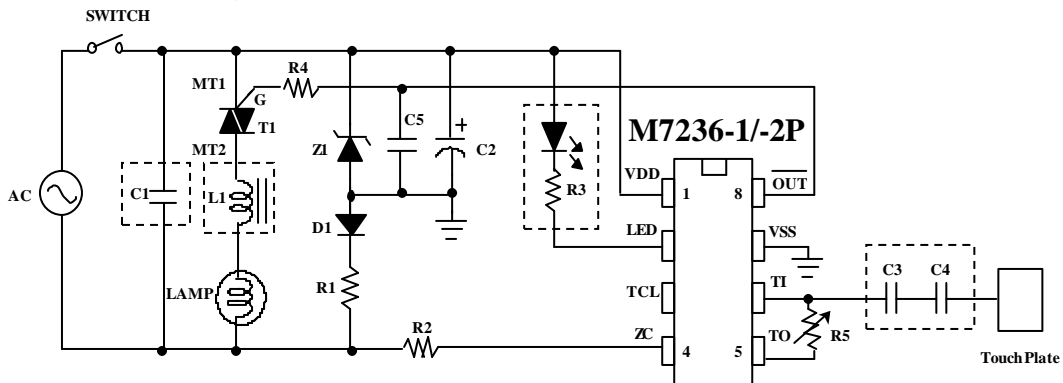
Light dimmer, AC motor speed controller.

ELECTRICAL CHARACTERISTICS 電氣規格

Characteristics	Sym.	Min.	Typ.	Max.	Unit	REMARKS
工作電壓 Operating Voltage	V_{DD}	3	4.5	5	V	
工作電流 Operating Current	I_{OP}		2.5	3	mA	No load
推動電流 Driving Current	I_{OL}		10		mA	@ $V_{DD} = 4.5V$
工作溫度 Operating Temperature	Temp.	0	25	60		

APPLICATION DIAGRAM 參考電路圖

三線式



COMPONENT	110V	220V
C1	1 μ F/250V	1 μ F/250V
L1	100 μ H	220 μ H
Z1	4.3V/ 1/2W	4.3V/ 1/2W
D1	IN4004	IN4004
R1	10K /2W	20K /2W
C2	220 μ F/16V	220 μ F/16V
R2	1M	1M
R3	1K	1K
R4	330	330
R5	500K	500K
C3、C4、C5	0.1 μ F	0.1 μ F
T1	BTA04	BTA04

COMPONENTS	Function Description
C1、L1	RFI filter
Z1 , D1 , R1 , C2	DC power supply
R2	Current limit and filter AC for SYNC input
R4	Current limit and isolation between IC output and Triac Gate
R3	Current limit for Led output
R5	Touch sensitivity adjustment

* All specs and applications shown above subject to change without prior notice.
(以上電路及規格僅供參考,本公司得逕行修正)