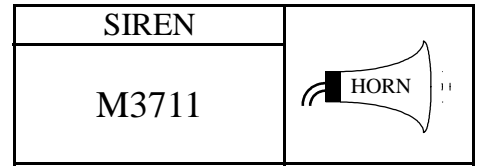




HORN/SIREN
WITH SOFT CHIRP
1 ALARM SOUNDS

警報喇叭專用
附唧聲
1 種警報聲 IC



.FEATURES 功能敘述

- Power on control.
- One programmable sound output.
- OPT : OPEN = 1 sound with soft chirp.
VDD = 1 sound.
Soft chirp = 1 sec.

P/N	REMARK	SOFT	Fosc	Rosc
M3711 -1	K1667	1 SEC	256 KHz	KΩ
M3711 -2	K1669	1 SEC	256 KHz	KΩ
M3711 -3	RT013	1 SEC	128 KHz	KΩ
M3711 -4	K1648	1 SEC	256 KHz	KΩ
M3711 -5	K1627	1 SEC	256 KHz	KΩ

APPLICATION 產品應用

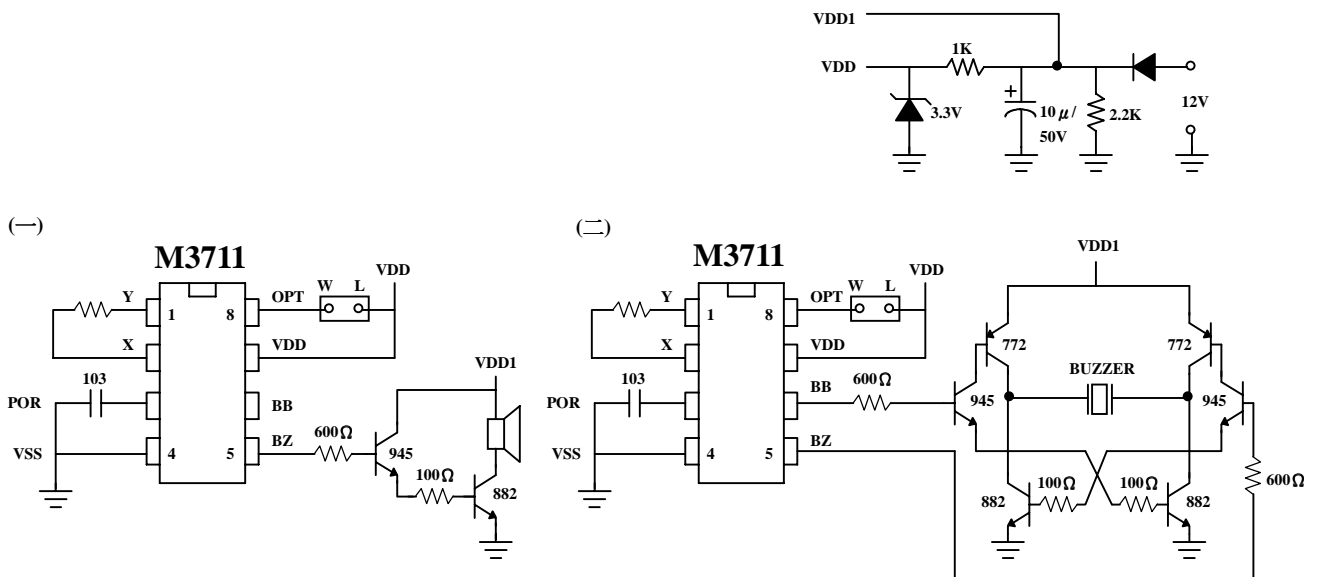
- Alarm system, Horn etc..

ELECTRICAL CHARACTERISTICS 電氣規格

(@V_{DD}=3V unless otherwise specified)

Characteristics	Sym.	Min.	Typ.	Max.	Unit	REMARKS
工作電壓 Operating Voltage	V _{DD}	—	3	3.5	V	
工作電流 Operating Current	I _{OP}	—	0.1	0.5	mA	No load
推動電流 BZ Driving Current	I _O	1	—	—	mA	@ V _{DS} =1V
推動電流 LO Driving Current	I _{OL}	6	—	—	mA	@ V _{DS} =1.2V
振盪頻率 Oscillator Frequency	F _{OSC}	—	80	128	KHz	External± 30%, R _{osc} =KΩ
工作溫度 Operating Temperature	Temp.	0	25	60	°C	

APPLICATION DIAGRAM 參考電路圖



* All specs and applications shown above subject to change without prior notice.
(以上電路及規格僅供參考,本公司得逕行修正)